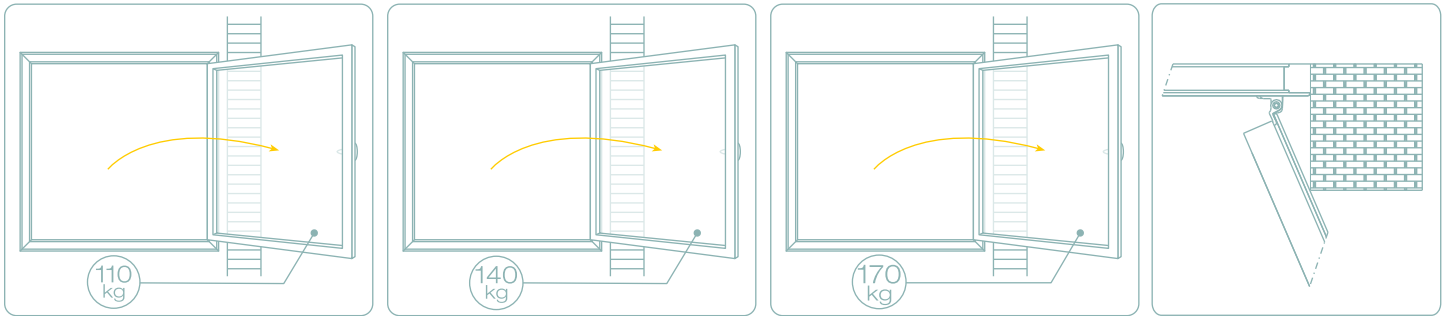


Test according to EN 13126-8:2006 standard

After durability test, composed by 15000 tilt and turn opening and closing cycles for a total of 60000 movements, and 5000 turn only opening and closing cycles, the windows is tested to verify the resistance and safety of the accessory.

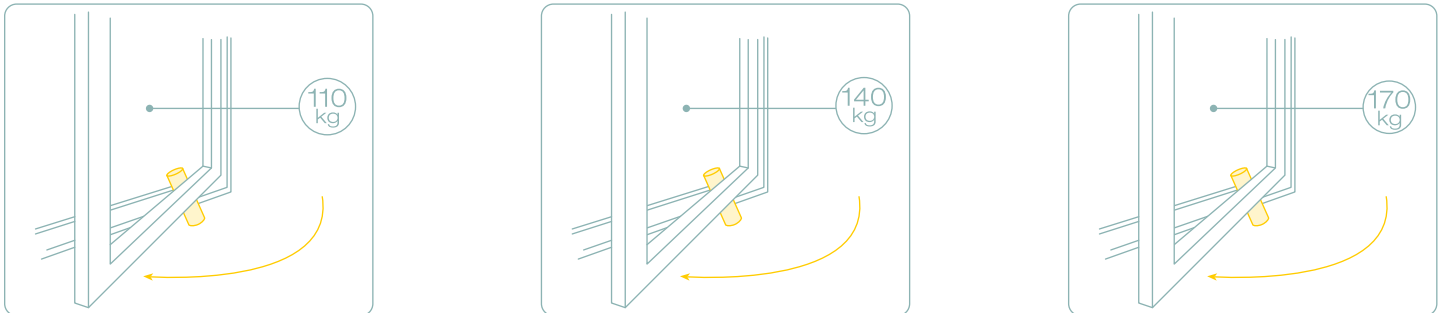
Post simulation test

The casement is accelerated for three times during opening against a post placed close to the hinge axis.



Test with obstacle in the rabbet

The casement is accelerated for three times during opening after placing an obstacle close to the hinges



Supplementary load

A supplementary load of 100 kg is added for 5 minutes to the normal weight of the casement.

