

Door closers and hinges for door closers



- REKLÒ



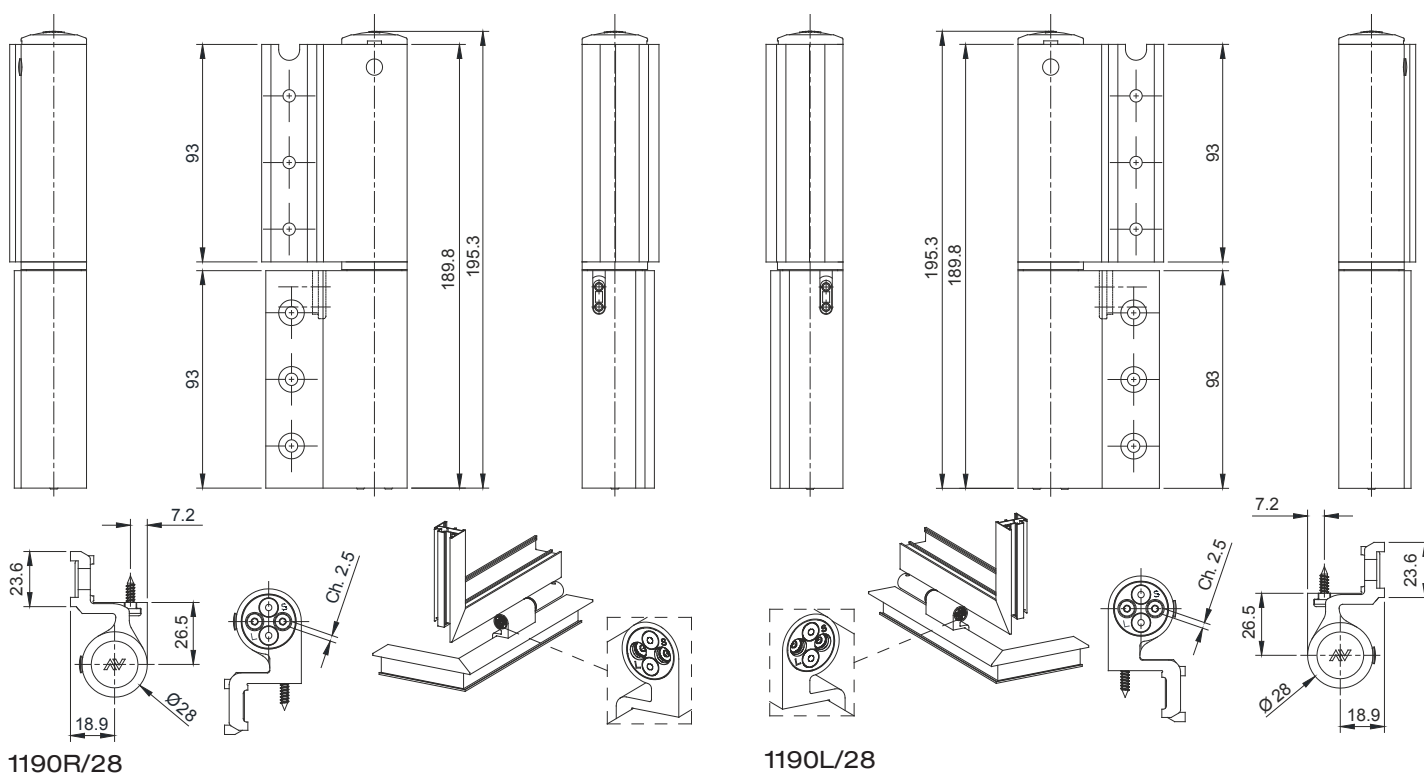
1190R/28-1190L/28

code	description
1190R/28	
1190L/28	

finishes	pcs.
9005, 9010, BL10	4
9005, 9010, BL10	4

Door closers and hinges for door closers

Reklò

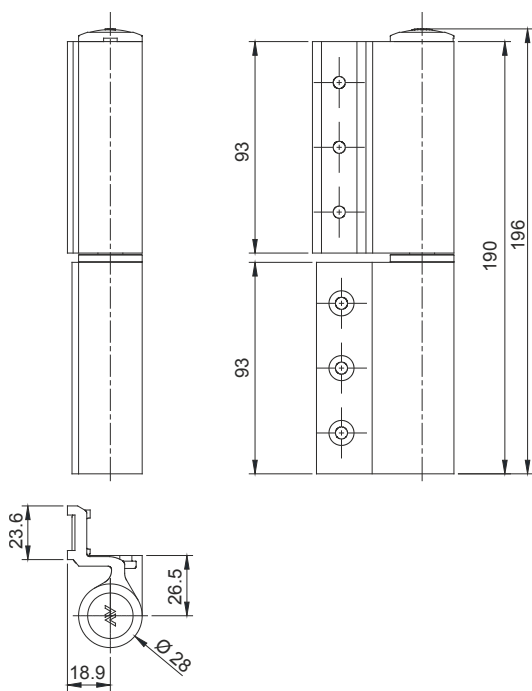




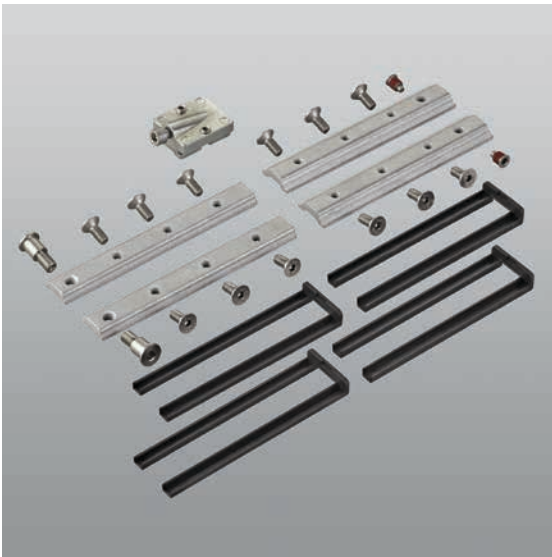
1195/28

code	description	finishes	pcs.
1195/28	2-wing adjustable door hinge made of aluminium, centre of rotation 26.5 mm, 1 stainless steel pin Ø 11 mm, pre-assembled on nylon cam bushing device, 1 self-lubricating bushing and 1 cap in nylon. Weight capacity: 2 hinges 120 Kg.	9005, 9010, BL10	4

Door closers and hinges for door closers



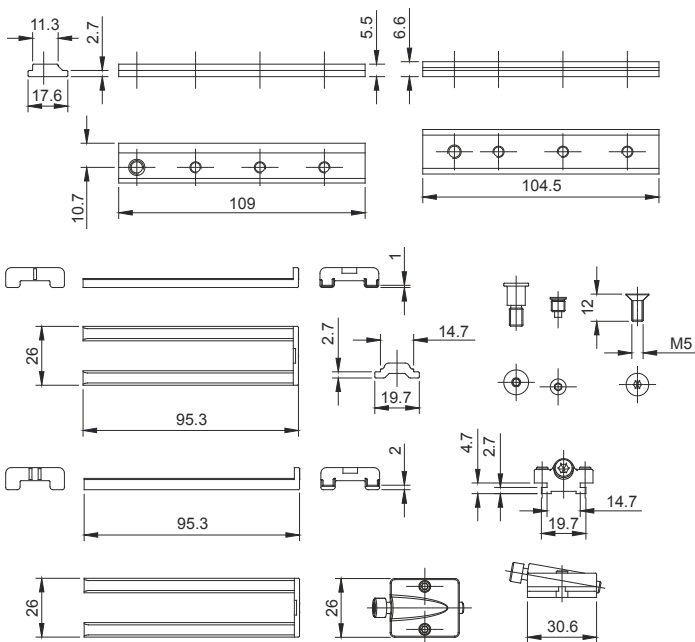
1195/28



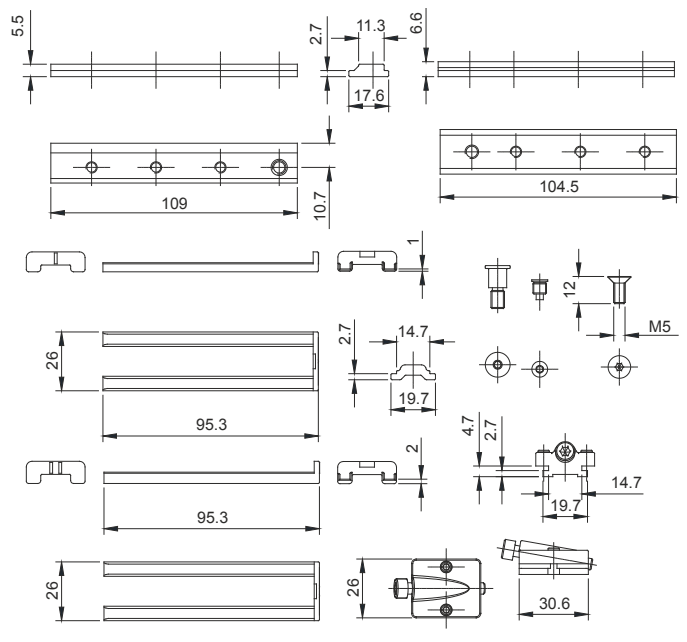
1190R.700-1190L.700

code	description	finishes	pcs.
1190R.700	RH aluminium fitting kit for Eurogroove profiles (frame grooves 14-18 mm), including: 2 stainless steel pins for sash wing clamping, 2 counterplates for sash wing and 2 counterplates for RH frame wing in rough aluminium, 2 spacers of 1 mm and 2 spacers of 2 mm in black nylon for sash, 12 socket head cap screws M5x12 in stainless steel, 2 T15 special grub screws M6x8.8 in stainless steel and 1 adjustment group in white galvanized zamak composed of 2 grub screws PCOP M5X6 and 2 socket head cap screws M5x35 in stainless steel, pre-assembled.		2
1190L.700	LH aluminium fitting kit for Eurogroove profiles (frame grooves 14-18 mm), including: 2 stainless steel pins for sash wing clamping, 2 counterplates for sash wing and 2 counterplates for LH frame wing in rough aluminium, 2 spacers of 1 mm and 2 spacers of 2 mm in black nylon for sash, 12 socket head cap screws M5x12 in stainless steel, 2 T15 special grub screws M6x8.8 in stainless steel and 1 adjustment group in white galvanized zamak composed of 2 grub screws PCOP M5X6 and 2 socket head cap screws M5x35 in stainless steel, pre-assembled.		2

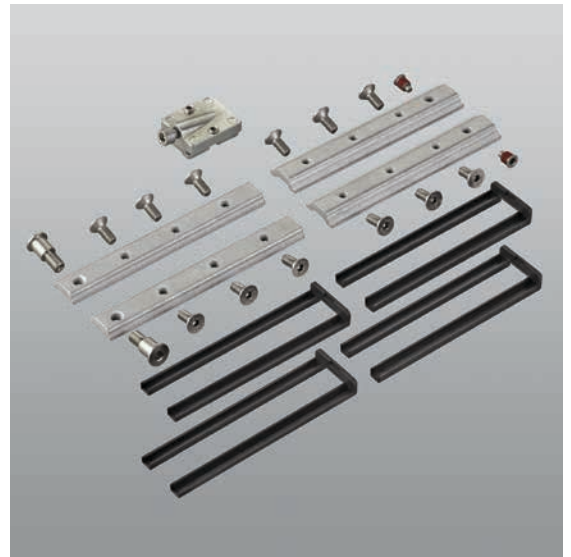
Door closers and hinges for door closers



1190R.700



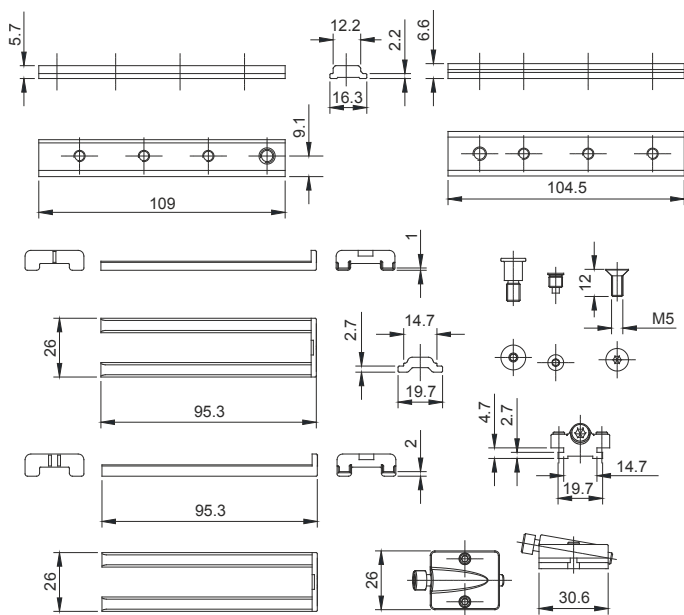
1190L.700



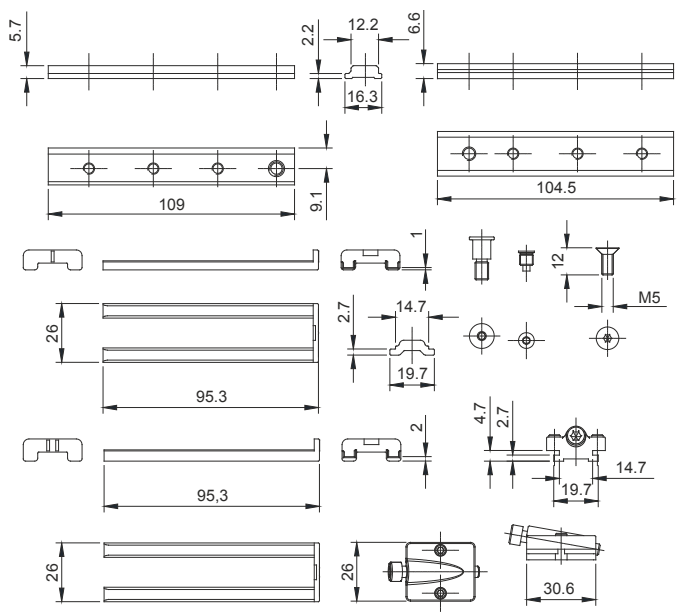
1190R.701-1190L.701

code	description	finishes	pcs.
1190R.701	RH aluminium fitting kit for Eurogroove/NC Int. profiles (frame grooves 13-16.5 mm), including: 2 stainless steel pins for sash wing clamping, 2 counterplates for sash wing and 2 counterplates for RH frame wing in rough aluminium, 2 spacers of 1 mm and 2 spacers of 2 mm in black nylon for sash, 12 socket head cap screws M5x12 in stainless steel, 2 T15 special grub screws M6x8.8 in stainless steel and 1 adjustment group in white galvanized zamak composed of 2 grub screws PCOP M5X6 and 2 socket head cap screws M5x35 in stainless steel, pre-assembled.		2
1190L.701	LH aluminium fitting kit for Eurogroove/NC Int. profiles (frame grooves 13-16.5 mm), including: 2 stainless steel pins for sash wing clamping, 2 counterplates for sash wing and 2 counterplates for LH frame wing in rough aluminium, 2 spacers of 1 mm and 2 spacers of 2 mm in black nylon for sash, 12 socket head cap screws M5x12 in stainless steel, 2 T15 special grub screws M6x8.8 in stainless steel and 1 adjustment group in white galvanized zamak composed of 2 grub screws PCOP M5X6 and 2 socket head cap screws M5x35 in stainless steel, pre-assembled.		2

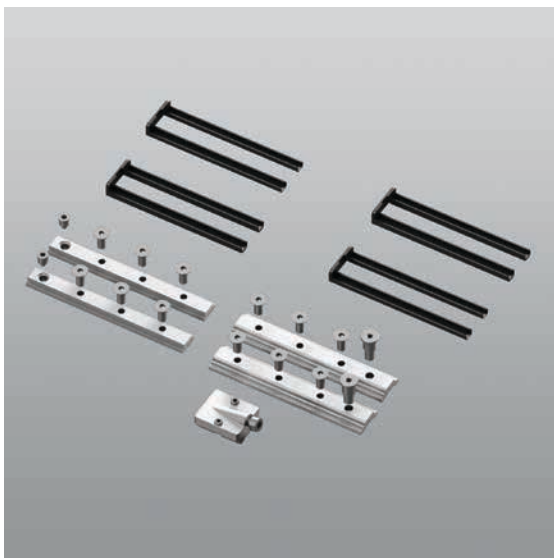
Door closers and hinges for door closers



1190R.701



1190L.701



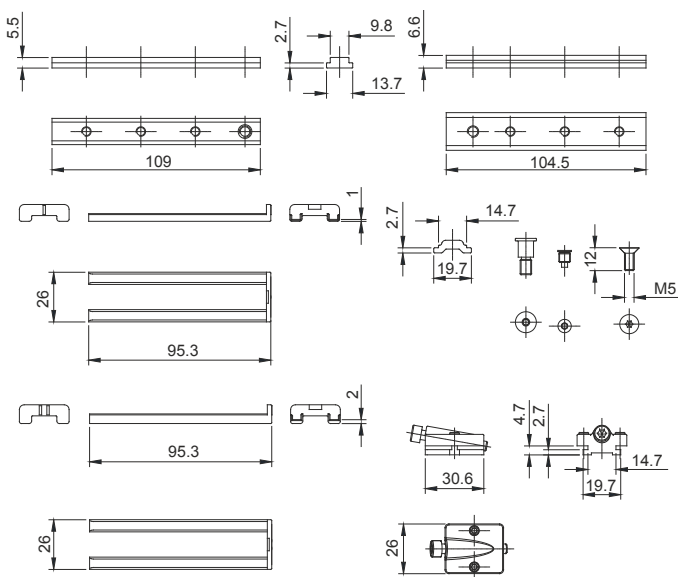
1190.702



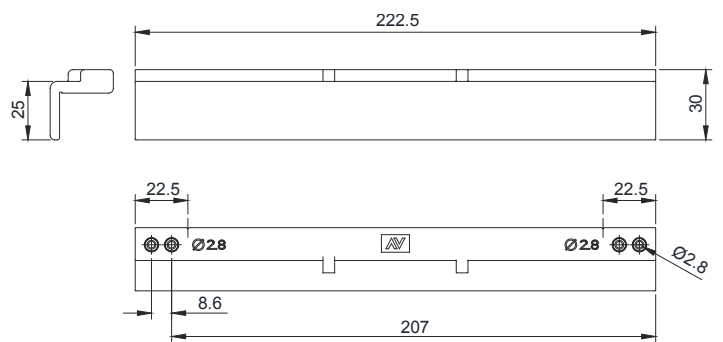
1190.901

code	description	finishes	pcs.
1190.702	Kit of counterplates and spacers for Eurogroove profiles (frame grooves 10-14.3 mm), including: 2 stainless steel pins for sash wing clamping, 2 counterplates for sash wing and 2 counterplates for frame wing in rough aluminium, 2 spacers of 1 mm and 2 spacers of 2 mm in black nylon for sash, 12 socket head cap screws M5x12 in stainless steel, 2 T15 special grub screws M6x8.8 in stainless steel and 1 adjustment group in white galvanized zamak composed of 2 grub screws PCOP M5x6 and 2 socket head cap screws M5x35 in stainless steel, pre-assembled.		2
1190.901	Black nylon drilling jig for stiffening snap and upper hinge positioning, for items 1190R/28 - 1190L/28.		1

Door closers and hinges for door closers



1190.702



1190.901

