

## Anti-burglar devices



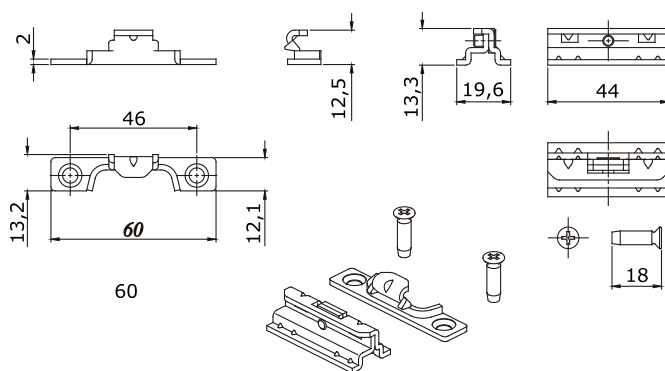
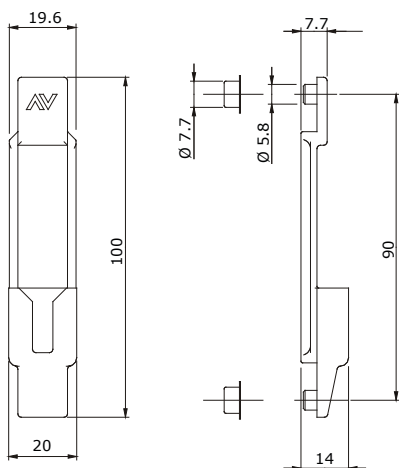
**1246.835-1246.838**



**3200.835**

code	description	finishes	pcs.
1246.835	Non-handed anti-burglar device for grooves 13,5x16,5 and 14x18, in black galvanized zamak, 2 countersunk head screws M5x18 in stainless steel 304 (self-forming), 2 nylon bushings Ø 6-Ø 8 mm.		40
1246.838	Non-handed anti-burglar device for grooves 10x14,3, 12x15 and 12,5x16,5, in black galvanized zamak, 2 countersunk head screws M5x18 in stainless steel 304 (self-forming), 2 nylon bushings Ø 6-Ø 8 mm.		40
3200.835	Anti-burglar device in stainless steel 304, 1 socket flat head screw M4x8 in stainless steel 304, 1 self-forming countersunk head screw M5x18 in stainless steel 304.		20

## Anti-burglar devices



**3200.835**

		A	B	1246.835	1246.838
	13,5	16,5			
	14	18			
	10	14,3			
	12	15			
	12,5	16,5			

**1246.835-1246.838**



1459.800

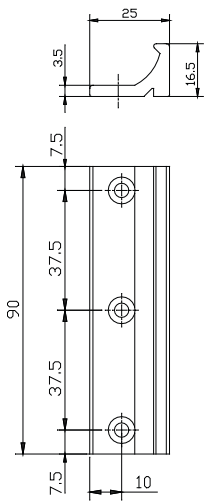


1459.1-1459.2

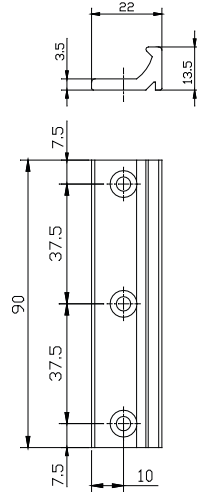
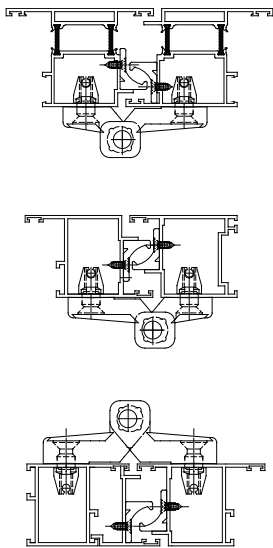
code	description	finishes	pcs.
1459.1	(patented) Non-handed anti-burglar device in aluminium, 6 countersunk head screws Ø 4,2x13 in black galvanized steel.	NE	50
1459.2	(patented) Non-handed anti-burglar device in aluminium 6 countersunk head screws Ø 4,2x13 in black galvanized steel.	NE	50
1459.800	Spacer in aluminium for art. 1459.1/.2.	NE	100

## Anti-burglar devices

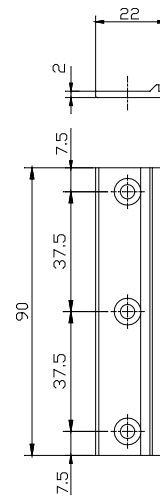
# Morde 201



1459.1



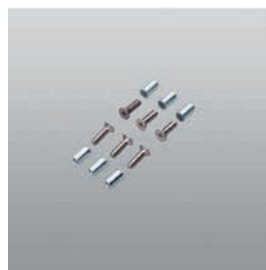
1459.2



1459.800



1459.3



1459.801

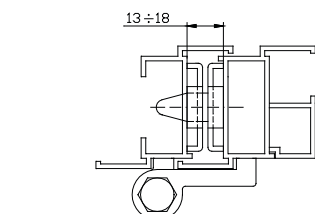
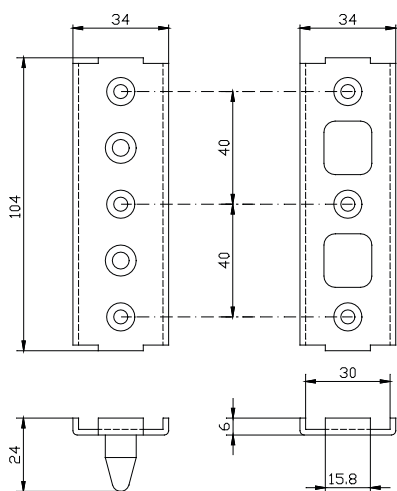
## 1459

code	description	finishes	pcs.
1459	(patented) Non-handed anti-burglar device in galvanized steel, 6 countersunk head screws $\varnothing$ 4,8x13 in galvanized steel.		40
1459.3	(patented) Non-handed anti-burglar device in stainless steel, 6 countersunk head screws $\varnothing$ 4,8x16 in stainless steel.		40
1459.801	Fixing kit for art. 1459.3 including 6 countersunk head screws M5x16 made of stainless steel + 6 threaded inserts M5 made of white galvanised steel.		40

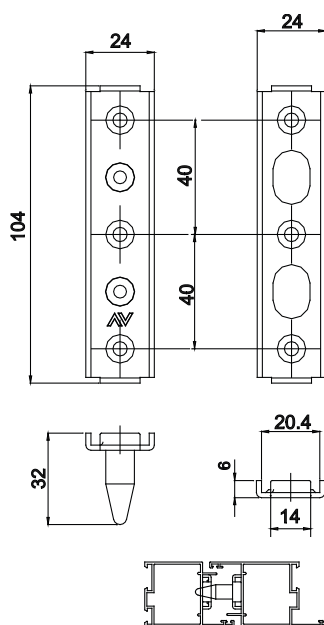
## Anti-burglar devices

202

# Morde



1459



1459.3



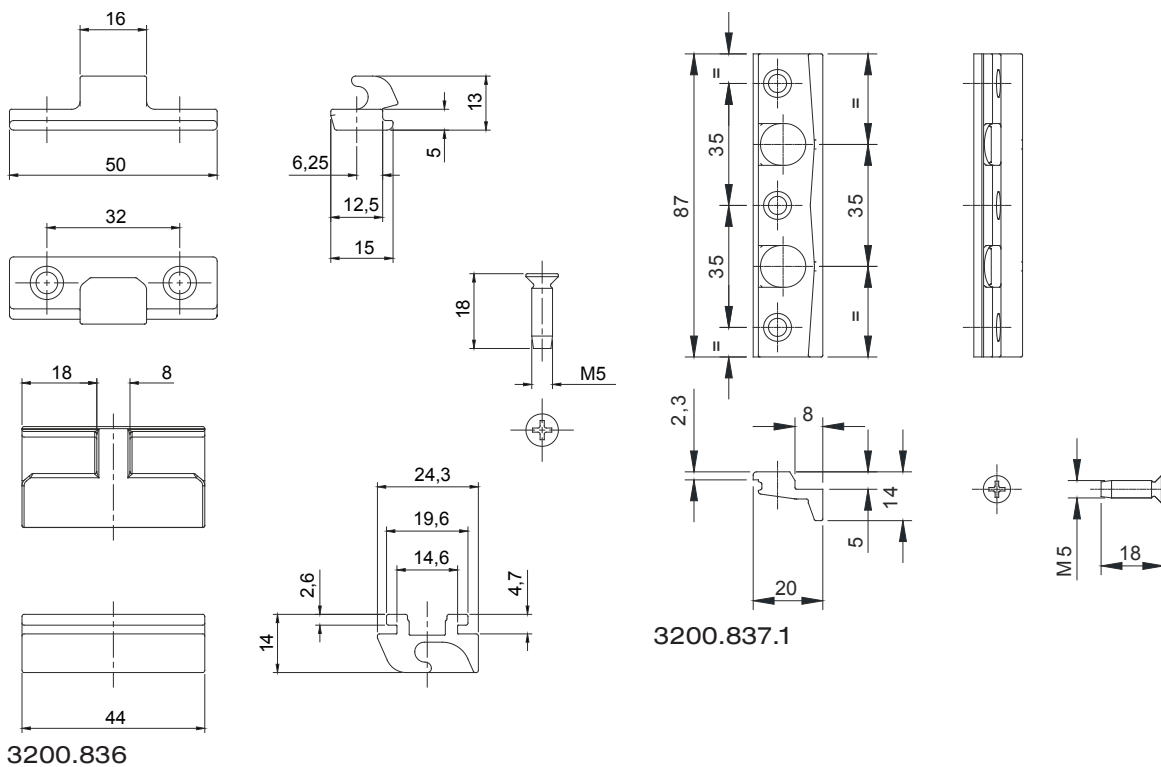
**3200.837.1**



**3200.836**

code	description	finishes	pcs.
3200.836	Anti-burglar device for groove 14-18 mm and 2 countersunk head screws M5x18 in stainless steel.		20
3200.837.1	SKG security kit in white galvanized zamak, 3 countersunk head screws M5x18 in stainless steel, pre-assembled.		5

## Anti-burglar devices

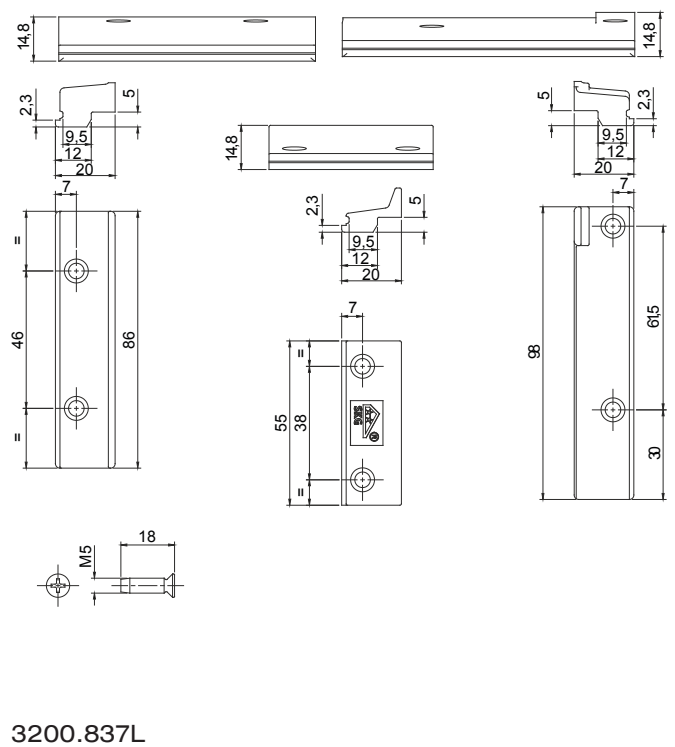
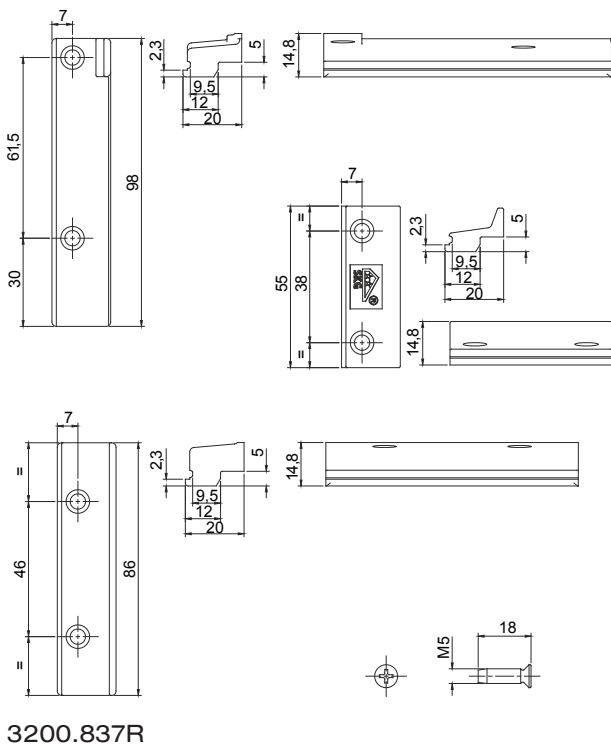




**3200.837R-3200.837L**

code	description	finishes	pcs.
3200.837R	RH SKG security kit in white galvanized zamak, 8 countersunk head screws M5x18 in stainless steel.		5
3200.837L	LH SKG security kit in white galvanized zamak, 8 countersunk head screws M5x18 in stainless steel.		5

**Anti-burglar devices**





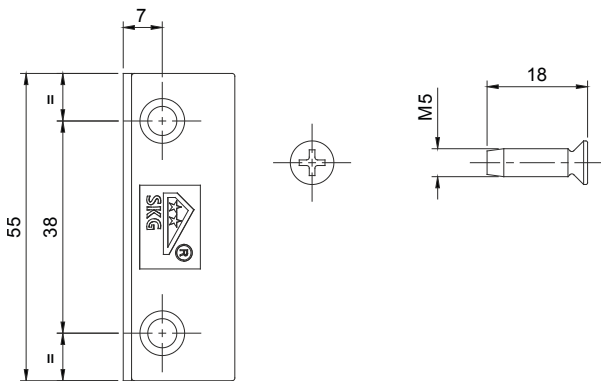
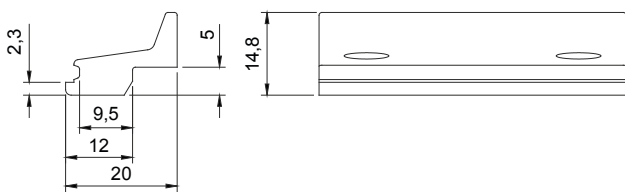
**3200.838**



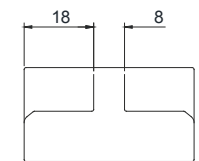
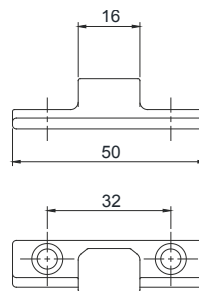
**3200.839**

code	description	finishes	pcs.
3200.839	Supplementary protection element in white galvanized zamak, 2 self forming thread screws M5x18 in stainless steel.		40
3200.838	Anti-burglar device for groove 10-14 mm and 2 countersunk head screws M5x18 in stainless steel.		20

## Anti-burglar devices



**3200.839**



**3200.838**

