

## Closing handles and closing devices



- TAVELDUE
- MULTI
- TRAGETTA
- KILTDUE
- ROSSOVERDE
- BLOCAL
- TAUDUE
- TAU
- POLENA
- SABBIA

Page 350

Page 351

Page 351

Page 352

Page 352

Page 353

Page 354

Page 355

Page 356

Page 356

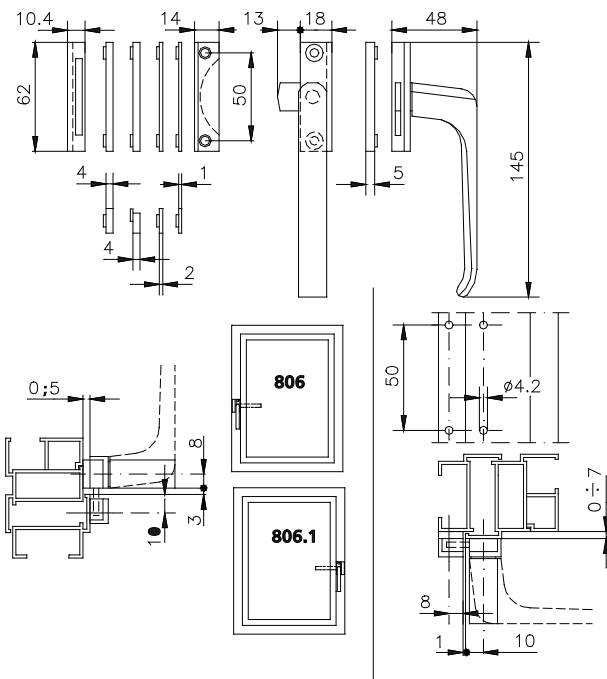


## 806-806.1

code	description	finishes	pcs.
806	Right hand front-fixed closing handle in aluminium, galvanized steel and nylon, 2 countersunk head screws M5x16 and 2 countersunk head screws M5x20 in stainless steel 304 (self forming thread).	1013, 3003, 6005, 9001, 9005, 9010, 9016, F, NE, PVD X, SILV, U, ZE	10
806.1	Left hand front-fixed closing handle in aluminium, galvanized steel and nylon, 2 countersunk head screws M5x16 and 2 countersunk head screws M5x20 in stainless steel 304 (self forming thread).	1013, 3003, 6005, 9001, 9005, 9010, 9016, F, NE, PVD X, SILV, U, ZE	10

## Closing handles and closing devices

# 350 Taveldue



806-806.1



**808**



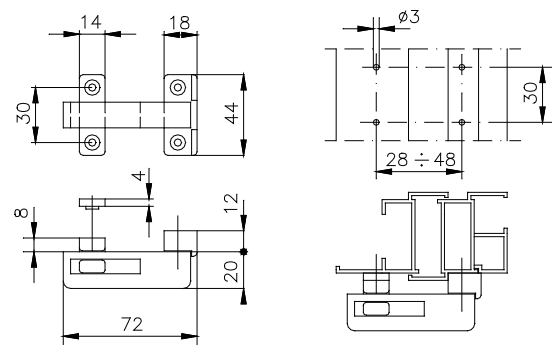
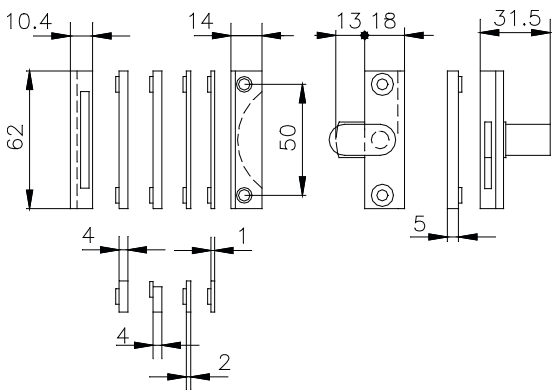
**807**

code	description	finishes	pcs.
807	Front-fixed closing handle in aluminium, galvanized steel and nylon, 2 countersunk head screws M5x16 and 2 countersunk head screws M5x20 in stainless steel 304 (self forming thread).	1013, 1015, 3003, 6005, 8017, 9001, 9010, B.SA, BL10, BR801, F, GR50, GR51, GR606, HL, NE, SILV, U, XSD, ZE	10
808	Aluminium front-fixed closing handle to apply, galvanized steel and nylon, 4 countersunk head screws Ø3.9x22 in stainless steel 304.	F, NE, U, ZE	20

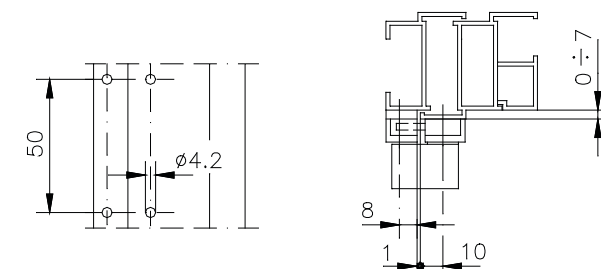
## Closing handles and closing devices

# Multi - Tragetta

351



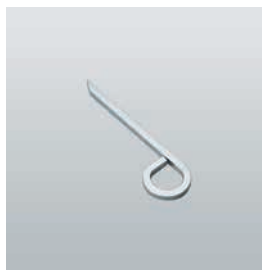
808



807



809



809.801

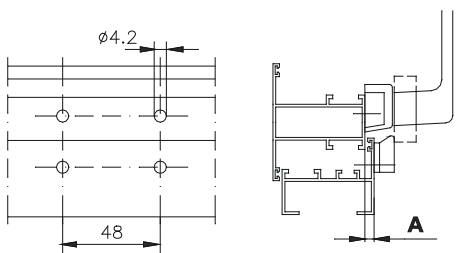
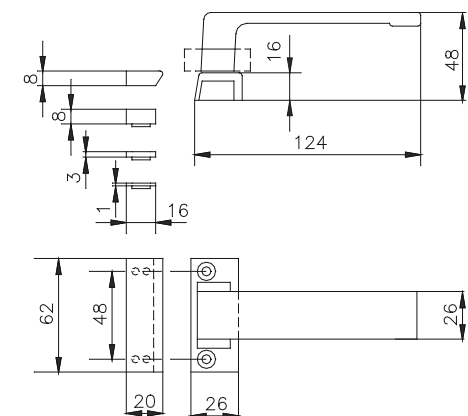
**816**

code	description	finishes	pcs.
816	Front-fixed closing handle to apply, in aluminium, galvanized steel and nylon, 2 countersunk head screws M5x20 in stainless steel 304 (self forming thread), 2 countersunk head screws Ø 3.5x9.5, 2 countersunk head screws Ø 3.5x13, 2 countersunk head screws Ø 3.5x16 in galvanized steel.	1013, 3003, 6005, 9010, F, NE, U, ZE	20
809	Open/closed signal for art. 808, in dark bronze anodized aluminium, galvanized steel and nylon, 2 countersunk head screws Ø 3.9x13 in stainless steel 304.	F	10
809.801	Galvanized steel emergency key for outside opening.		20

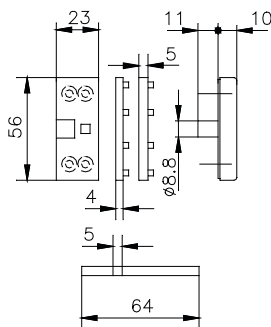
**Closing handles and closing devices**

352

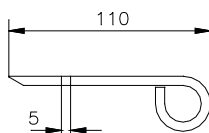
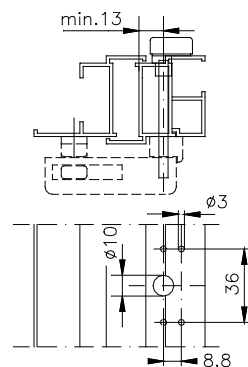
**Kiltdue - Rossoverde**



816



809



809.801

**A**  
0  
4  
5  
7  
8

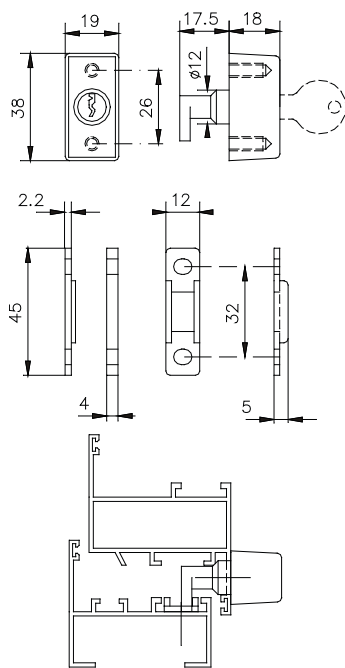


**1490-1491**

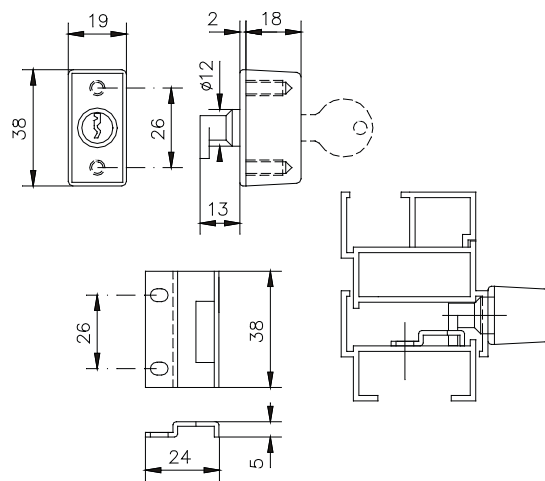
code	description	finishes	pcs.
1490	Lock with security cylinder (same keys) in zamak, nylon and stainless steel 430, 2 cap screws M5x12 and 2 cap screws Ø3.9x13 in stainless steel 304.	1013, 1015, 1035, 7035, 8019, 9001, 9005, 9010, BL10, C, SILV	10
1491	Lock with security cylinder (same keys) in zamak, nylon and stainless steel 430, 2 cap screws M5x12 and 2 cap screws Ø 3.9x13 in stainless steel 304.	1013, 9005, BR5, C, SILV	10

**Closing handles and closing devices**

**Blocal**



1490



1491



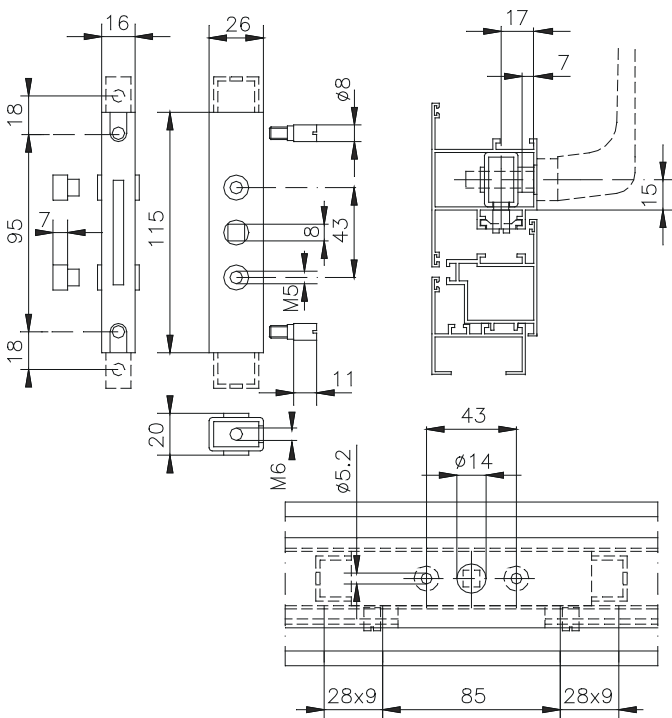
825.800

**825-825.6**

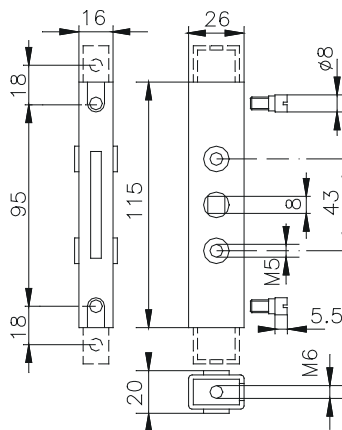
code	description	finishes	pcs.
825	Multipoint locking device, 8 mm square, 2 bushings and 2 threaded pins Ø 8x11 mm in galvanized steel. It's possible to employ the 7 mm square handles using the square reduction bushing code 32129101.		10
825.6	Multipoint locking device, 8 mm square, 2 threaded pins Ø 8x5 in galvanized steel. It's possible to employ the 7 mm square handles using the square reduction bushing code 32129101.		10
825.800	Corner drive in black galvanized zamak, 1 clip in stainless steel 430, 1 countersunk head screw M5x8 in stainless steel 304.		10

**Closing handles and closing devices**

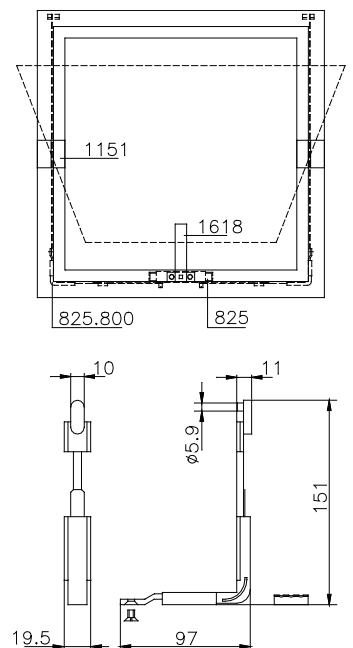
354 **Taudue**



825



825.6



825.800

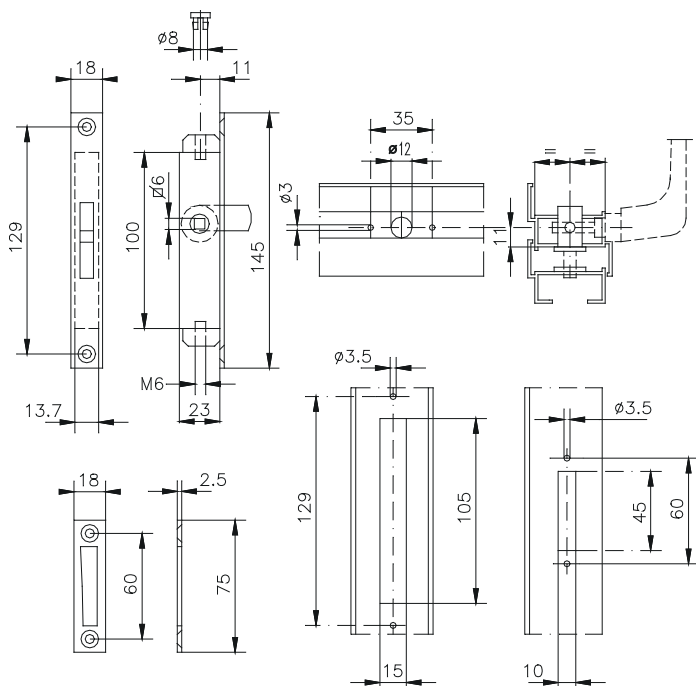


**824**

<b>code</b> 824	<b>description</b> Three-point locking device in galvanized steel and brass, 2 nylon rod-guide bushings, 4 countersunk head screws Ø 4.8x9.5 in galvanized steel.	<b>finishes</b>	<b>pcs.</b> 10
--------------------	--	-----------------	-------------------

## Closing handles and closing devices

**Tau** 355



824



1618



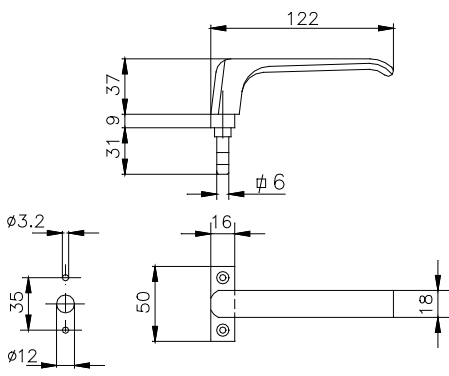
1619

1612

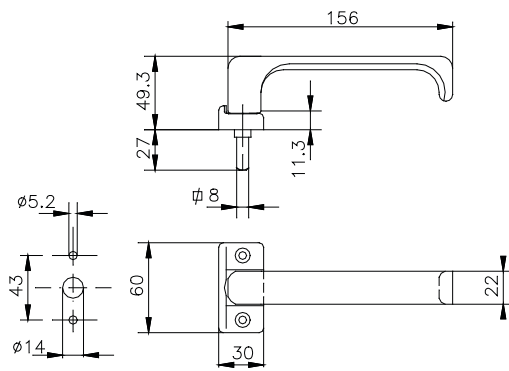
code	description	finishes	pcs.
1612	Single handle for art. 824, in aluminium, nylon and galvanized steel (square spindle 6 mm), 2 countersunk head screws $\varnothing$ 4,2x16 in black galvanized steel.	F, NE, U, ZE	10
1618	Single handle for art. 825, in aluminium (square spindle 8 mm), 1 pre-assembled grub screw M6x10 and 2 countersunk head screws M5x30 in stainless steel 304.	1013, 3003, 6005, 9001, 9010, C, F, NE, U, ZE	10
1619	Single handle for art. 825.6, in aluminium, nylon and galvanized steel (square spindle 8 mm), 2 countersunk head screws M5x30 in black galvanized steel.	1013, 9010, F, NE, U, ZE	10

Closing handles and closing devices

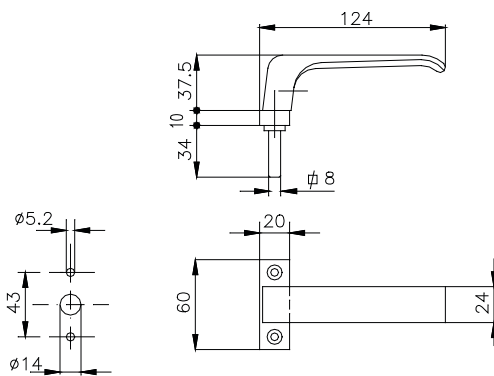
356 Polena - Sabbia



1612



1619



1618