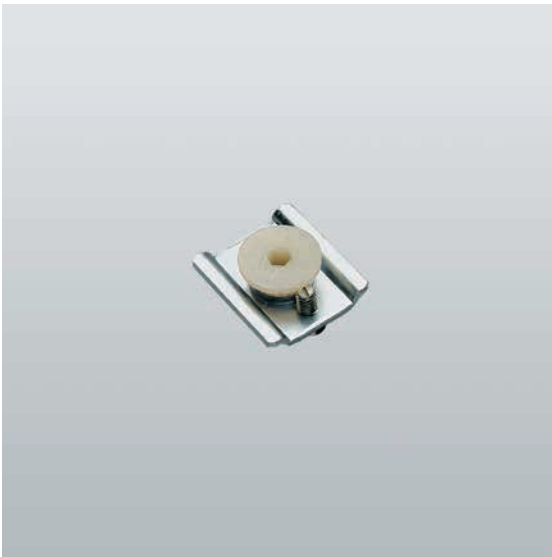


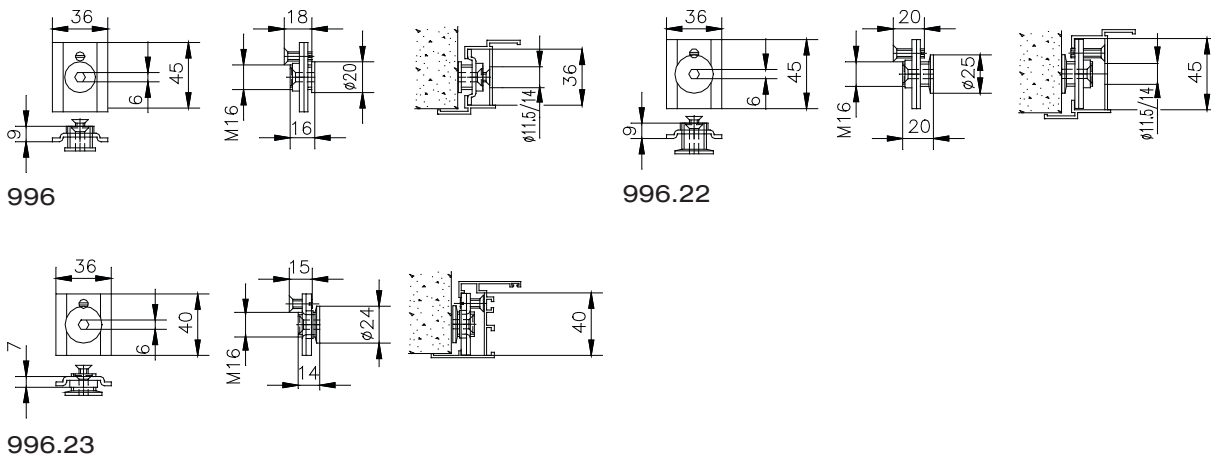
Corner cleats, connections and adjustable fixing devices



996-996.22-996.23

code	description	finishes	pcs.
996	Fixing device in galvanized steel, nylon adjustment screw.		100
996.22	Fixing device in galvanized steel, nylon adjustment screw.		100
996.23	Fixing device in galvanized steel, nylon adjustment screw.		100

Corner cleats, connections and adjustable fixing devices





996.58

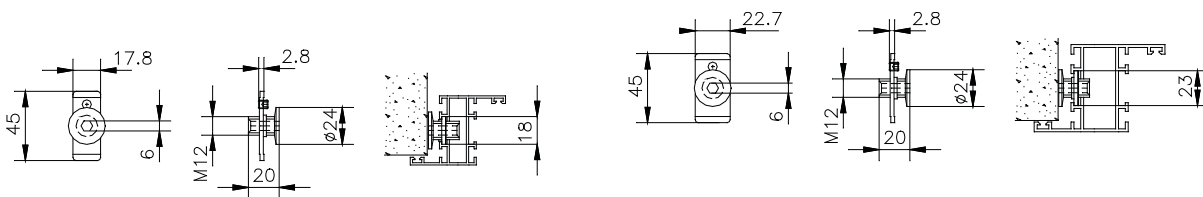


996.24-996.25-996.26

code	description	finishes	pcs.
996.24	Fixing device in galvanized steel, nylon adjustment screw.		100
996.25	Fixing device in galvanized steel, nylon adjustment screw.		100
996.26	Fixing device in galvanized steel, nylon adjustment screw.		100
996.58	Fixing device and adjustment screw in nylon.		100

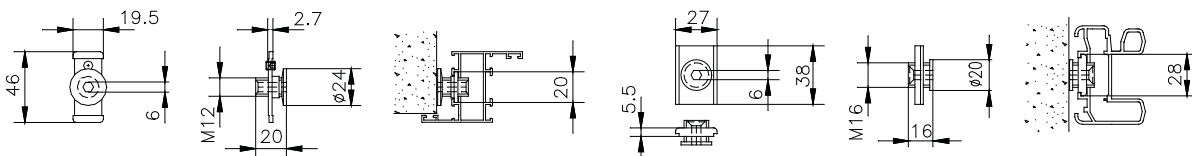
Corner cleats, connections and adjustable fixing devices

Renzo 359



996.24

996.25



996.26

996.58