



Catches for bottom-hung windows



- DOPPIO
- LUCCIO
- RICIRCOLO
- REGOLO



1357



1360

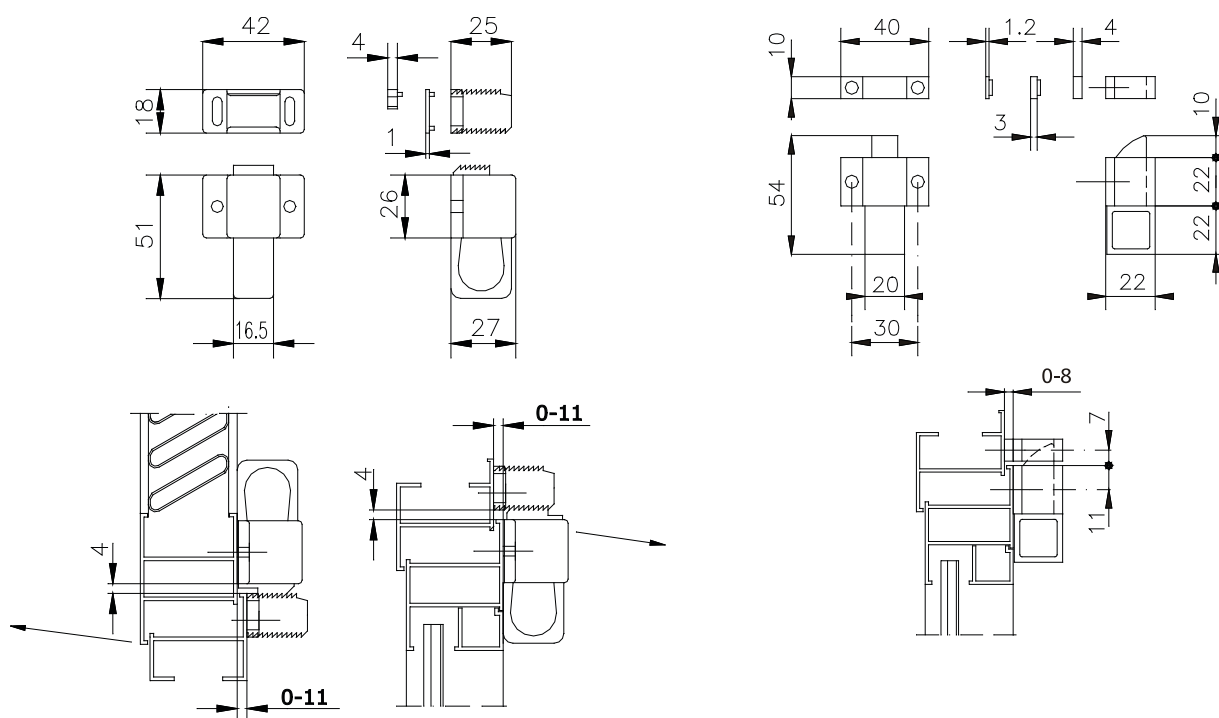


1360.5

code	description	finishes	pcs.
1357	(patented) Universal catch with 2 nylon spacers, 4 cap screws Ø 3.9x13 in black galvanized steel.		50
1360	Aluminium catch, 3 nylon spacers, 2 countersunk head screws Ø 4.2x16 and 2 countersunk head screws Ø 4.2x9.5 in black galvanized steel.	1013, 1015, 1035, 3003, 6005, 7047, 8017, 8019, 9001, 9005, 9010, 9016, B.MA, B.SA, BL10, BR5, BR801, BW21, C, F, GR217, GR50, GR606, HL, NE, PVD H, PVD X, SILV, U, XSD, ZE	20
1360.5	Aluminium catch, 2 nylon spacers, 2 countersunk head screws Ø 4.2x19 and 2 countersunk head screws Ø 4.2x32 in galvanized steel, suitable for wood and PVC.	1013, 9001, 9005, 9010, F, GR217, HL, NE, PVD X, SILV, U, ZE	50

Catches for bottom-hung windows

408 Doppio - Luccio



1357

1360-1360.5

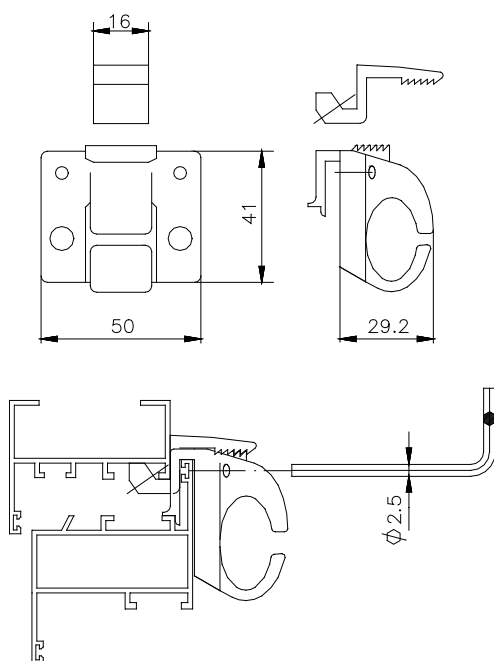


1370.1-1370.5-1370.6-1370.9-1370.10

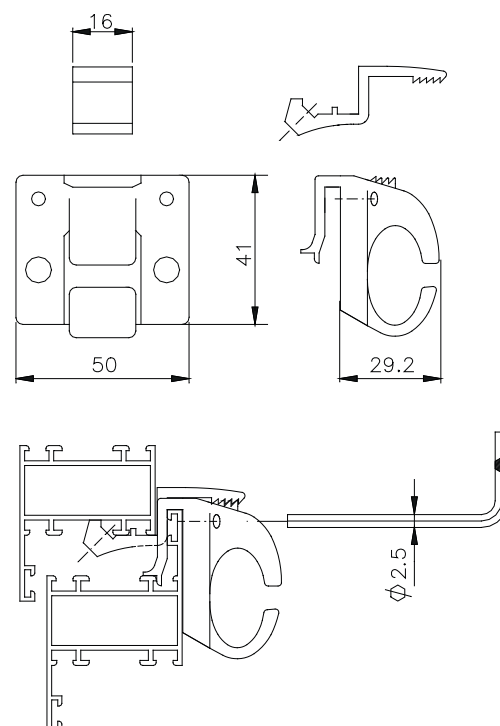
code	description	finishes	pcs.
1370.1	(patented) Aluminium and nylon catch to be clamped, 2 pre-assembled grub screws M5x6 and 2 pre-assembled grub screws M5x10 in black galvanized steel.		50
1370.5	(patented) Aluminium and nylon catch to be clamped, 2 pre-assembled grub screws M5x6 and 2 pre-assembled grub screws M5x10 in black galvanized steel.		50
1370.6	(patented) Aluminium and nylon catch to be clamped, 2 pre-assembled grub screws M5x6 and 2 pre-assembled grub screws M5x10 in black galvanized steel.		50
1370.9	(patented) Aluminium and nylon catch to be clamped, 2 pre-assembled grub screws M5x6 and 2 pre-assembled grub screws M5x10 in black galvanized steel.		50
1370.10	(patented) Aluminium and nylon catch to be clamped, 2 pre-assembled grub screws M5x6 and 2 pre-assembled grub screws M5x10 in black galvanized steel.		50

Catches for bottom-hung windows

Ricircolo 409



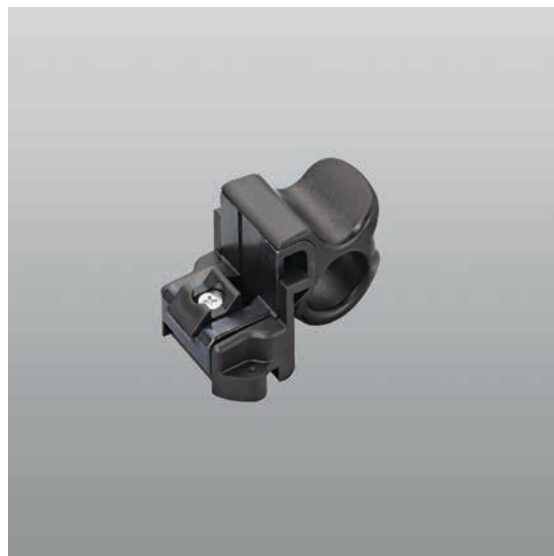
1370.1-1370.5



1370.6-1370.9-1370.10



1390.1



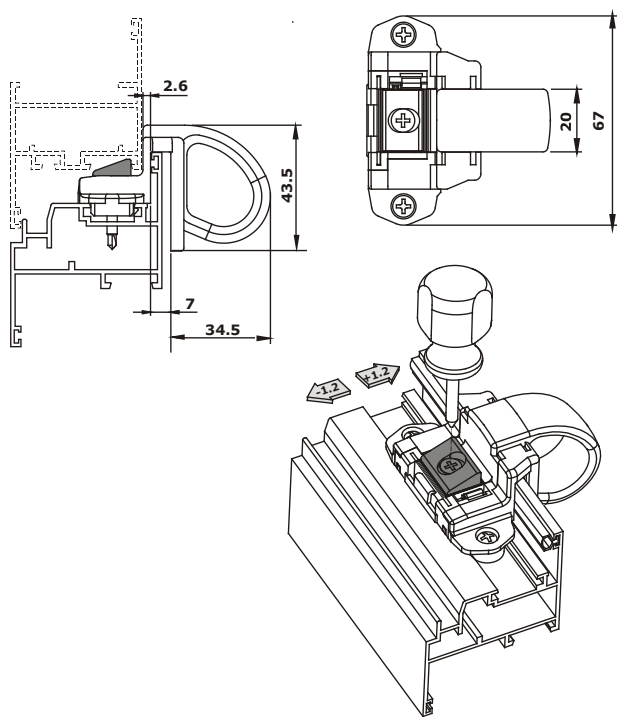
1390.5

code	description	finishes	pcs.
1390.1	(patented) Preassembled clamp-in catch in black galvanized zamak, nylon knob, 2 self-tapping fitting screws in galvanized steel, adjustable locking point, 1 steel spring.	.74, .75, .78	50
1390.5	(patented) Preassembled clamp-in catch in black galvanized zamak, nylon knob, adjustable locking point, 1 steel spring, with ventilation controlling device.	.74, .75, .78	50

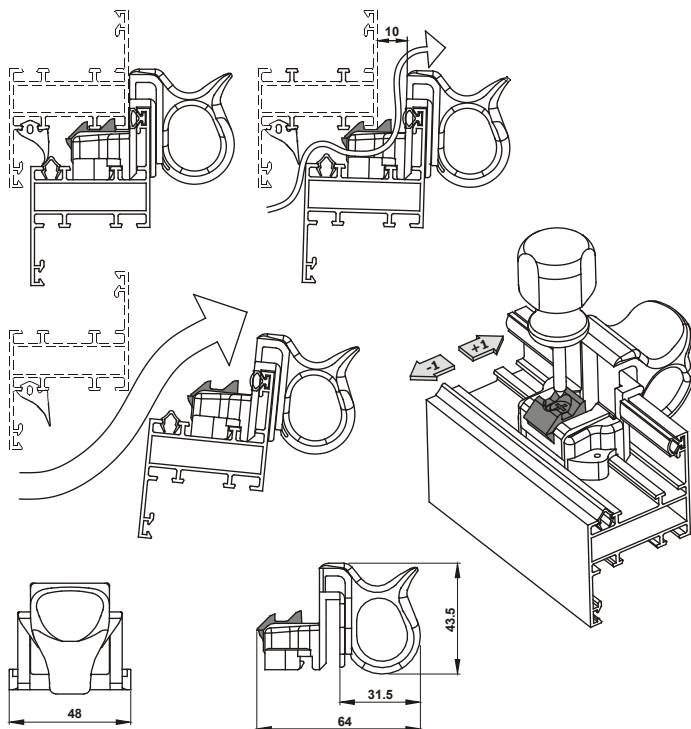
Catches for bottom-hung windows

410

Regolo



1390.1



1390.5

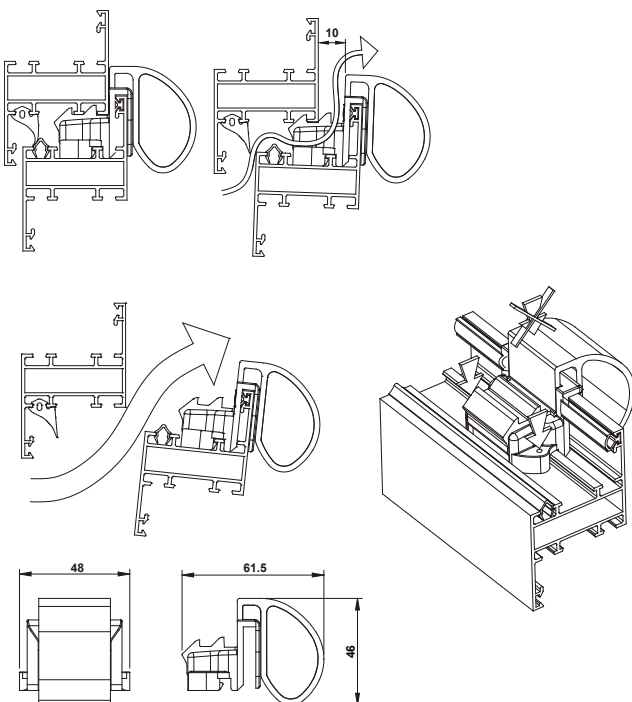


1390.99

code	description	finishes	pcs.
1390.99	(patented) Not adjustable pre-assembled clamp-in catch in nylon, aluminium knob, 2 steel springs, with ventilation controlling device.	1013, 9005, 9010, BL10, F, NE	50

Catches for bottom-hung windows

Regolo 411



1390.99