

Seals

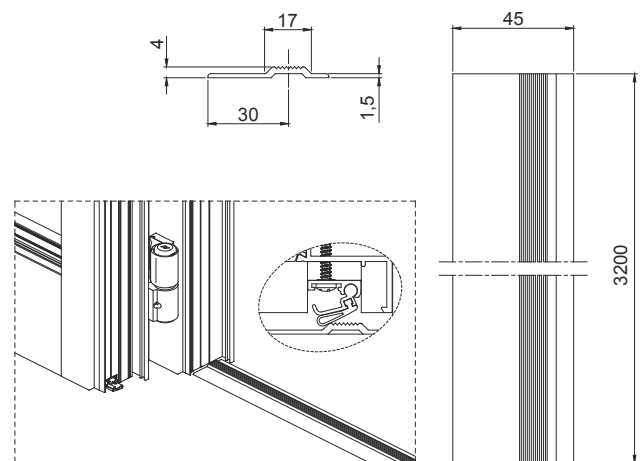
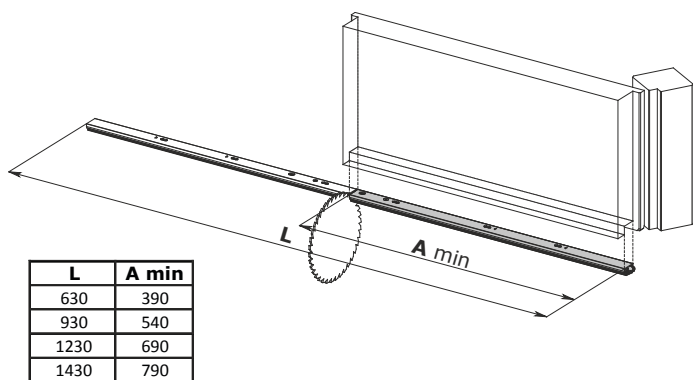


PS/63-PS/93-PS/123-PS/143

PS700/300

code	description	finishes	pcs.
PS/63	Automatic weather strip door (L = 630 mm) built-up of: 2 aluminum profiles with pivoting movement, adjustable by mean of a steel plunger; 1 straight seal in self-extinguishing thermoplastic. Application on aluminum or wood doors, with max. drop of 13 mm (between door bottom and floor).		1
PS/93	Automatic weather strip door (L = 930 mm) built-up of: 2 aluminum profiles with pivoting movement, adjustable by mean of a steel plunger; 1 straight seal in self-extinguishing thermoplastic. Application on aluminum or wood doors, with max. drop of 13 mm (between door bottom and floor).		1
PS/123	Automatic weather strip door (L = 1230 mm) built-up of: 2 aluminum profiles with pivoting movement, adjustable by mean of a steel plunger; 1 straight seal in self-extinguishing thermoplastic. Application on aluminum or wood doors, with max. drop of 13 mm (between door bottom and floor).		1
PS/143	Automatic weather strip door (L = 1430 mm) built-up of: 2 aluminum profiles with pivoting movement, adjustable by mean of a steel plunger; 1 straight seal in self-extinguishing thermoplastic. Application on aluminum or wood doors, with max. drop of 13 mm (between door bottom and floor).		1
PS700/300	Door threshold of 3.2 m in extruded aluminium.		25

Seals



PS/63-PS/93-PS/123-PS/143

PS700/300