

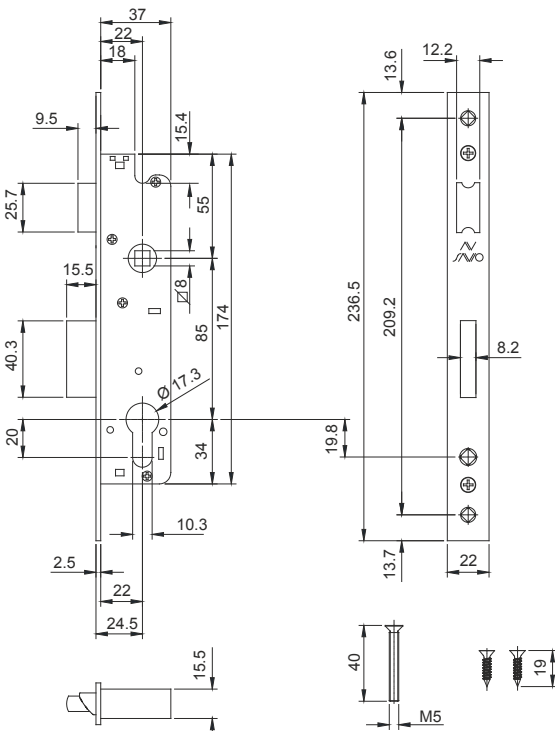
## Door locks



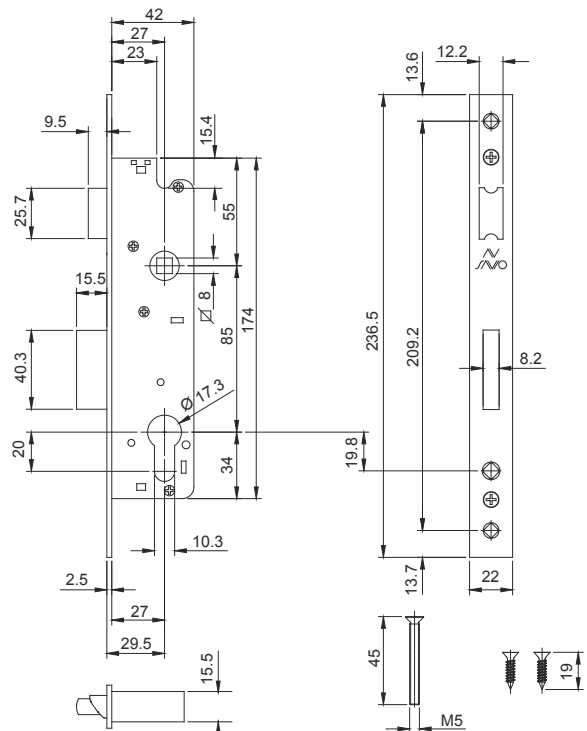
**1852.19/25G-1852.19/30G**

code	description	finishes	pcs.
1852.19/25G	Jamb lock with stainless steel faceplate, 25 mm backset, distance between centres of 85 mm, with reversible latch, one throw deadbolt, 1 stainless steel screw M5x40 and 2 stainless steel self-tapping countersunk hd. Screws Ø 4,29x19 mm. For shaped cylinder.		1
1852.19/30G	Jamb lock with stainless steel faceplate, 30 mm backset, distance between centres of 85 mm, with reversible latch, one throw deadbolt, 1 stainless steel screw M5x45 and 2 stainless steel self-tapping countersunk hd. Screws Ø 4,29x19 mm. For shaped cylinder.		1

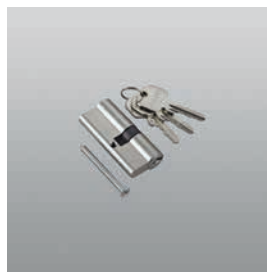
**Door locks**



1852.19/25G



1852.19/30G



1852.801/70  
1852.801/75  
1852.801/80  
1852.801/85

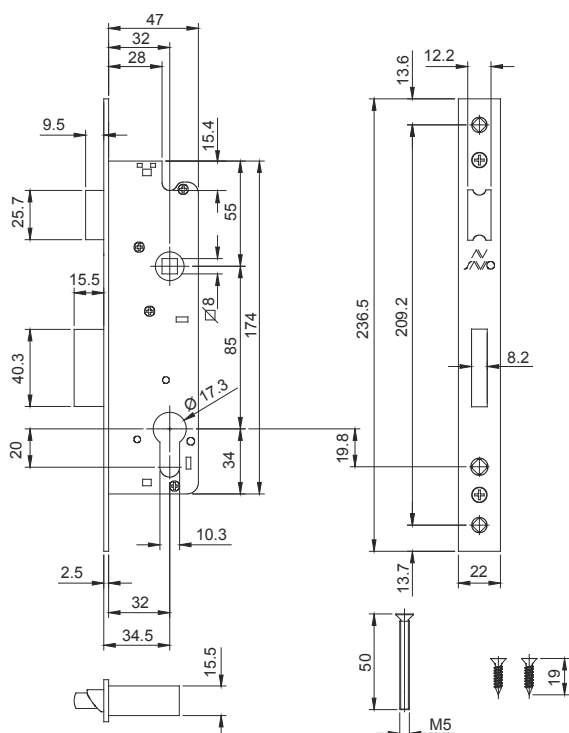


1852.19/35G

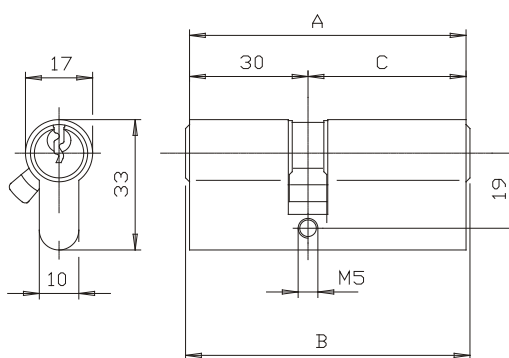
code	description	finishes	pcs.
1852.19/35G	Jamb lock with stainless steel faceplate, 35 mm backset, distance between centres of 85 mm, with reversible latch, one throw deadbolt, 1 stainless steel screw M5x50 and 2 stainless steel self-tapping countersunk hd. Screws Ø 4,29x19 mm. For shaped cylinder.		20
1852.801/70	Double security european-shaped cylinder in nickered brass, with different key combination, dimension of 70 mm (30x40 mm).		10
1852.801/75	Double security european-shaped cylinder in nickered brass, with different key combination, dimension of 75 mm (30x45 mm).		10
1852.801/80	Double security european-shaped cylinder in nickered brass, with different key combination, dimension of 80 mm (30x50 mm).		10
1852.801/85	Double security european-shaped cylinder in nickered brass, with different key combination, dimension of 85 mm (30x55 mm).		10

## Door locks

433



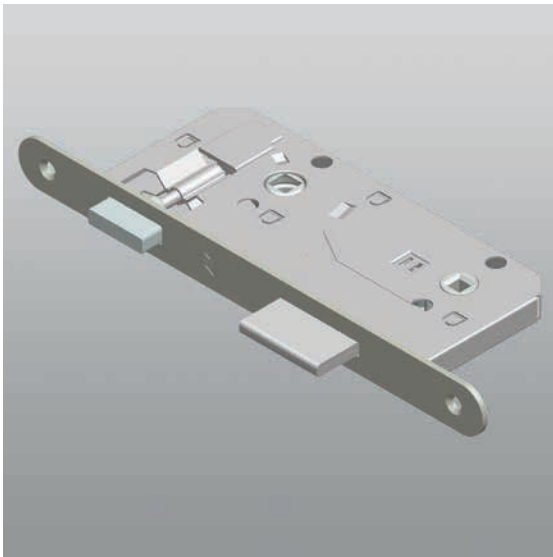
1852.19/35G



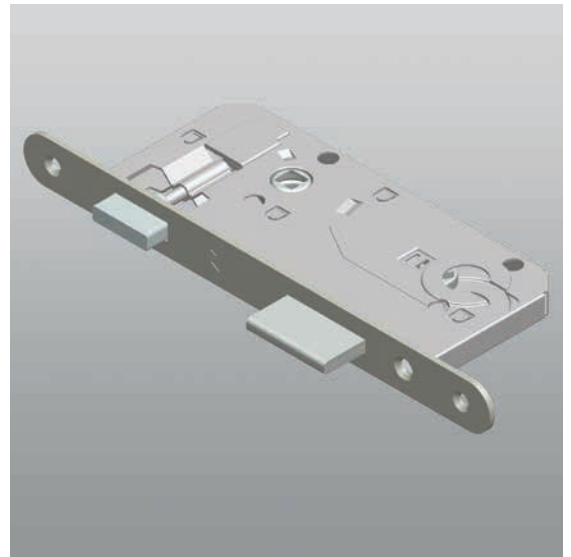
Art./Code	A	B	C
1852.801/70	70	70,6	40
1852.801/75	75	75,6	45
1852.801/80	80	80,6	50
1852.801/85	85	85,6	55

1852.801/70-1852.801/75-1852.801/80-1852.801/85





**4230.5/24BQ**

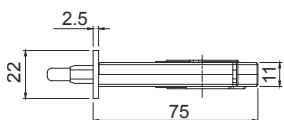
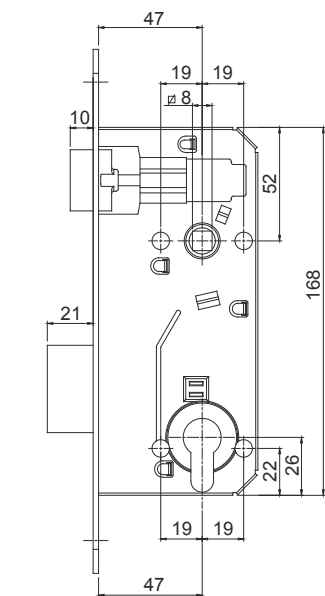


**4230.5/24BR**

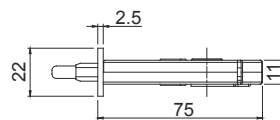
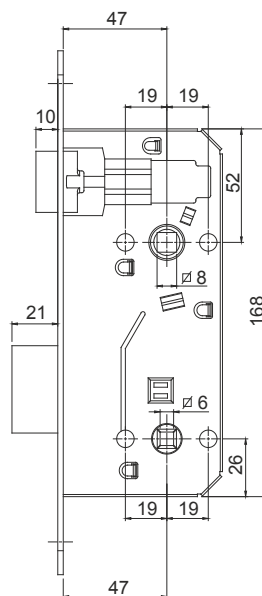
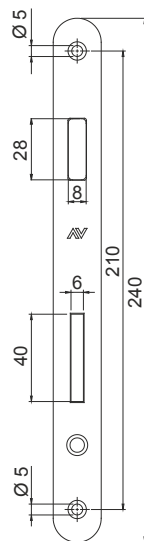
code	description	finishes	pcs.
4230.5/24BR	Lock with magnetic latch and metallic turn bolt, preset for european profile cylinder, body and front plate in galvanized steel. Backset of 50 mm and distance between centres of 90 mm. Front plate 22 mm x 240 mm.	CO, CS, OL	50
4230.5/24BQ	Lock with magnetic latch and metallic turn bolt, preset for knob with square of 6/7 mm, body and front plate in galvanized steel. Backset of 50 mm and distance between centres of 90 mm. Front plate 22 mm x 240 mm.	CO, CS, OL	50

## Door locks

# Autó 435



4230.5/24BR



4230.5/24BQ



**4231.5/20BR**

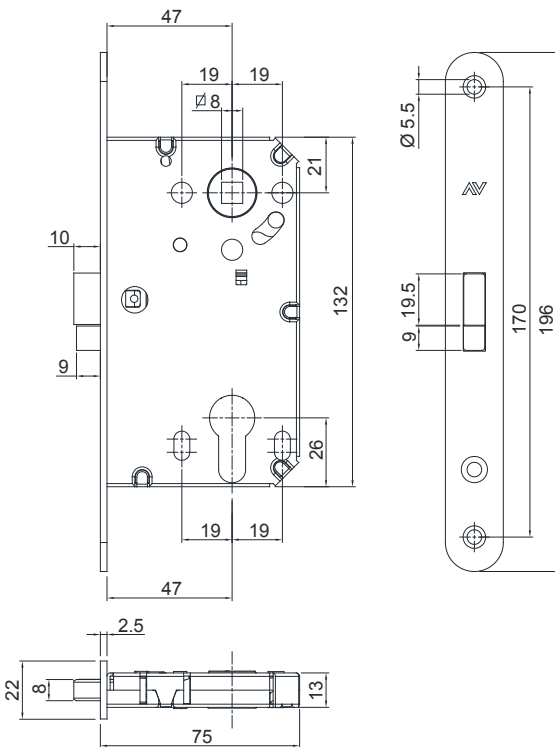


**4231.5/20BQ**

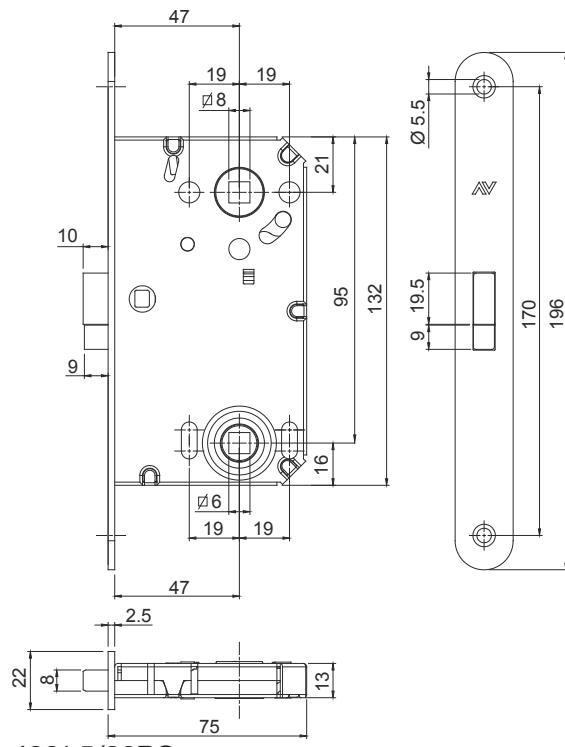
code	description	finishes	pcs.
4231.5/20BR	Lock with magnetic latch and central turn bolt, preset for european profile cylinder, body and front plate in galvanized steel. Backset of 50 mm and distance between centres of 85 mm. Front plate 22 mm x 196 mm.	CO, CS, OL	50
4231.5/20BQ	Lock with magnetic latch and central turn bolt, preset for knob with square of 6/7 mm, body and front plate in galvanized steel. Backset of 50 mm and distance between centres of 85 mm. Front plate 22 mm x 196 mm.	CO, CS, OL	50

## Door locks

# 436 Autó



**4231.5/20BR**



**4231.5/20BQ**



**4232.3/19BQ**

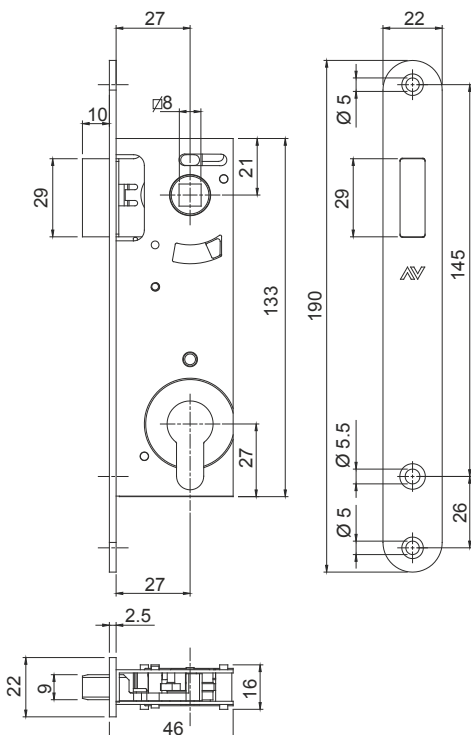


**4232.3/19BR**

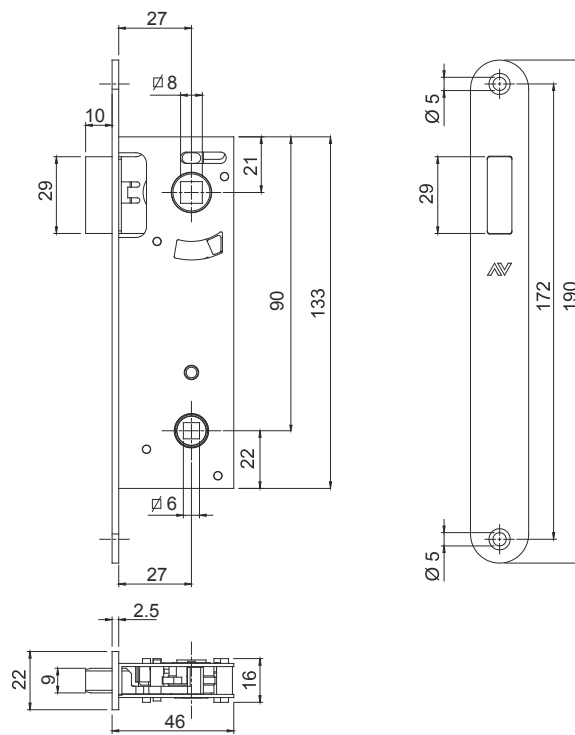
code	description	finishes	pcs.
4232.3/19BR	Lock with magnetic latch for aluminium doors, preset for european profile cylinder, body and front plate in galvanized steel. Backset of 30 mm and distance between centres of 85 mm. Front plate 22 mm x 196 mm.	CO, CS, OL	50
4232.3/19BQ	Lock with magnetic latch for aluminium doors, preset for knob with square of 6/7 mm, body and front plate in galvanized steel. Backset of 30 mm and distance between centres of 85 mm. Front plate 22 mm x 196 mm.	CO, CS, OL	50

## Door locks

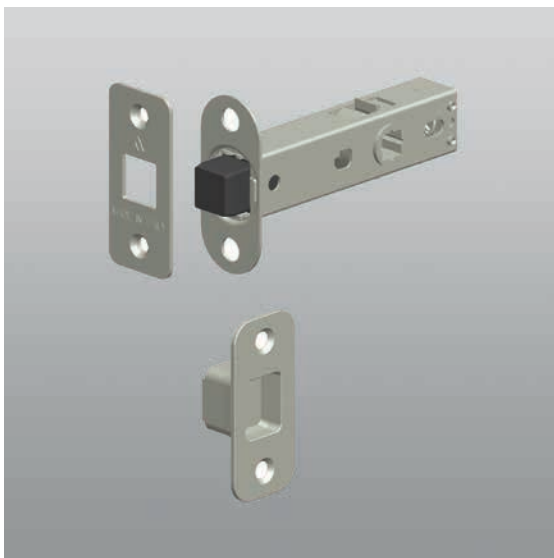
# Autó 437



4232.3/19BR



4232.3/19BQ



**4233.6/6YCN**

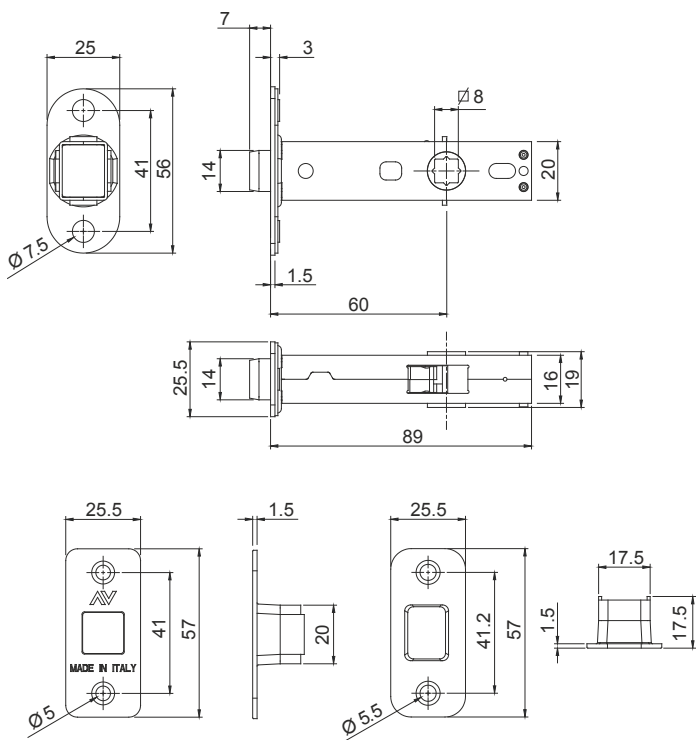


**4233.6/6YCS**

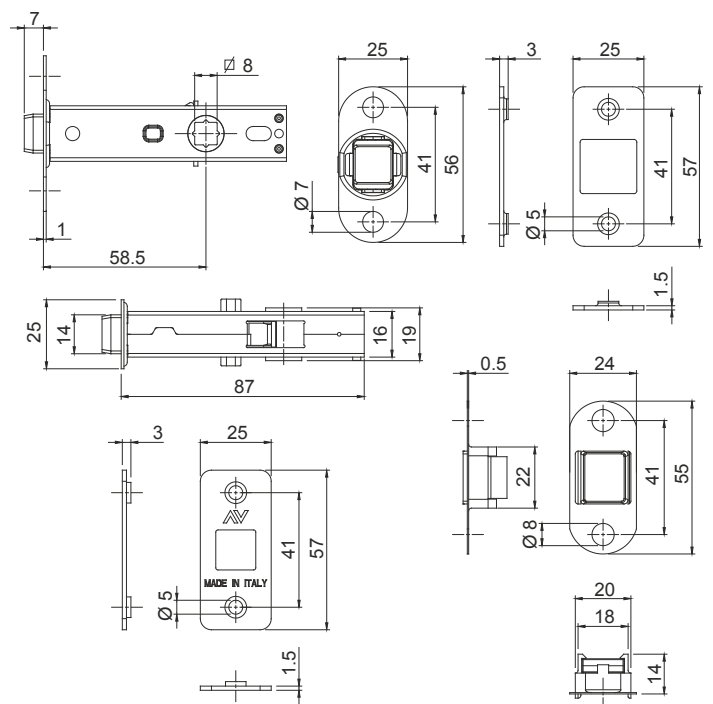
code	description	finishes	pcs.
4233.6/6YCN	Lock with magnetic latch, body and front plate in galvanized steel. Backset of 60 mm. Front plate height of 60 mm.	CO, CS, OL	50
4233.6/6YCS	Lock with magnetic latch, body and front plate in galvanized steel. Backset of 60 mm. Front plate height of 60 mm, centre distance block of 17.5 mm.	CO, CS, OL	50

## Door locks

# 438 Autó

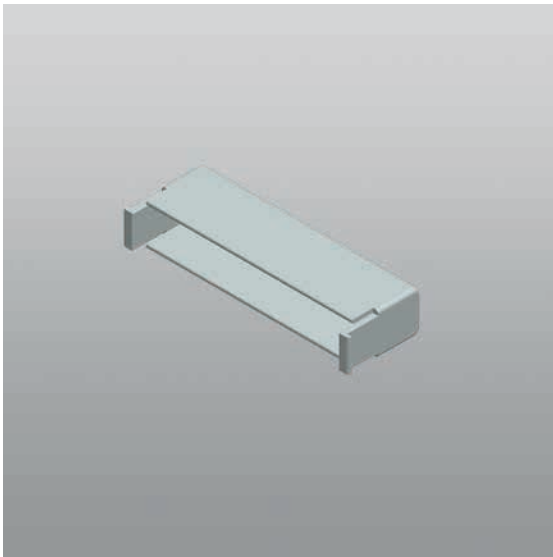


4233.6/6YCN

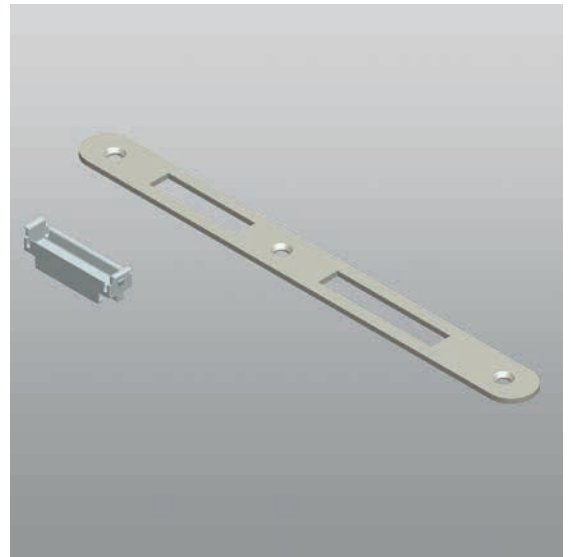


4233.6/6YCS





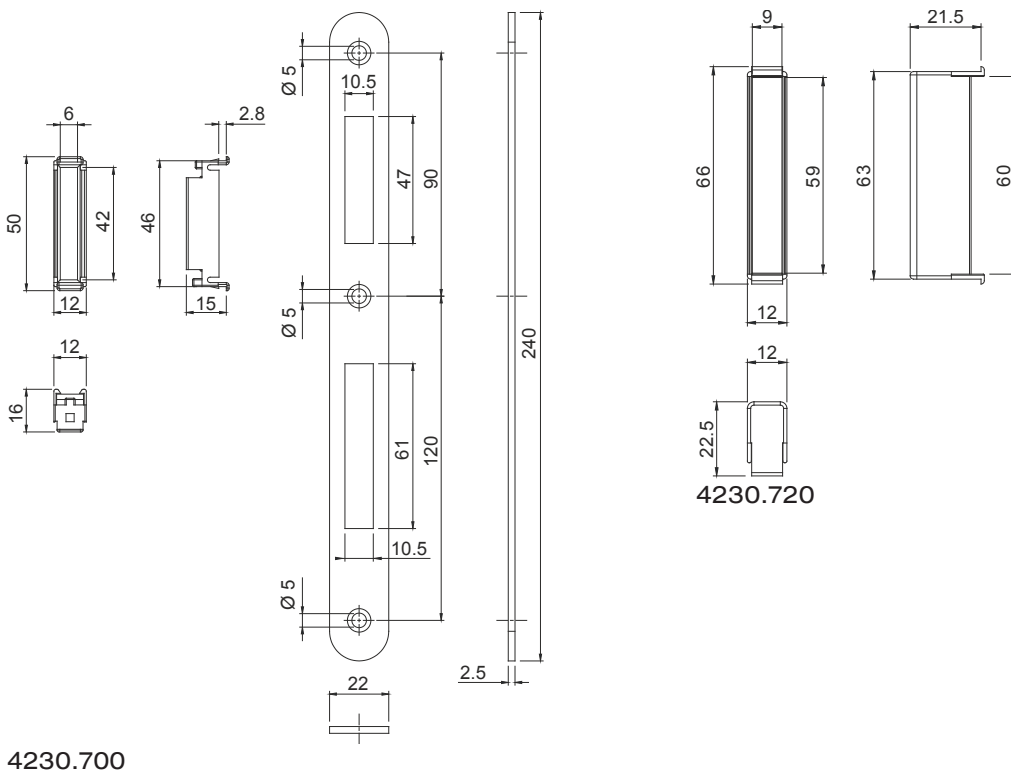
**4230.720**

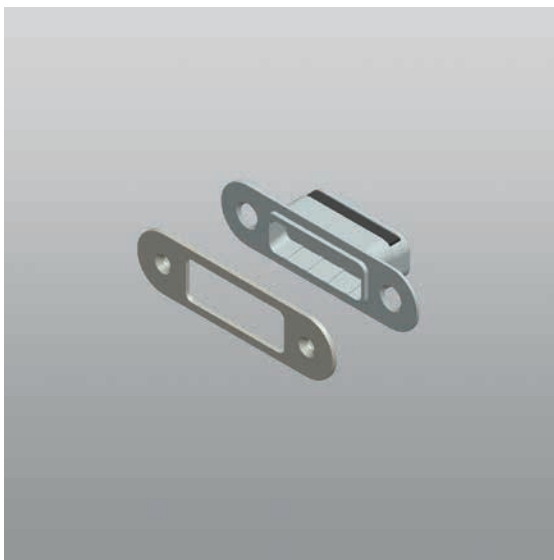


**4230.700**

code	description	finishes	pcs.
4230.700	Kit including galvanized steel counterplate and nylon magnetic pocket. To use with locks art. 4230.	CO, CS, OL	50
4230.720	Nylon pocket for bolt. To use with the counterplate art. 4230.700.	.79	50

## Door locks





**4231.700**

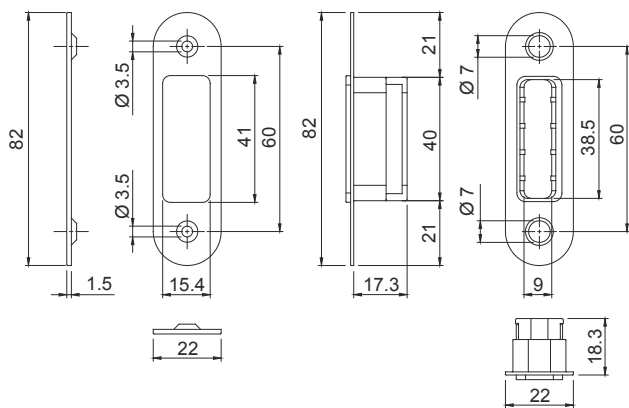


**4232.800**

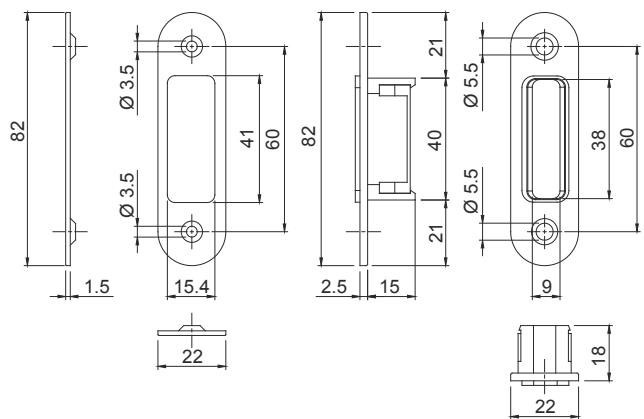
code	description	finishes	pcs.
4231.700	Kit including galvanized steel counterplate and nylon internal pocket. To use with locks art. 4231.	CO, CS, OL	50
4232.800	Kit including galvanized steel counterplate and nylon internal magnetic pocket. To use with locks art. 4232.	CO, CS, OL	50

## Door locks

440



4231.700



4232.800