

Moving and locking systems for outward openings

597



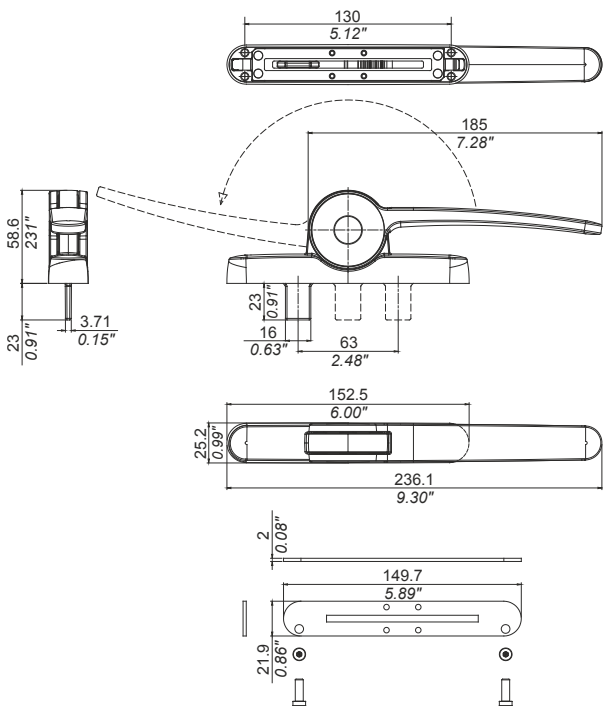


1208

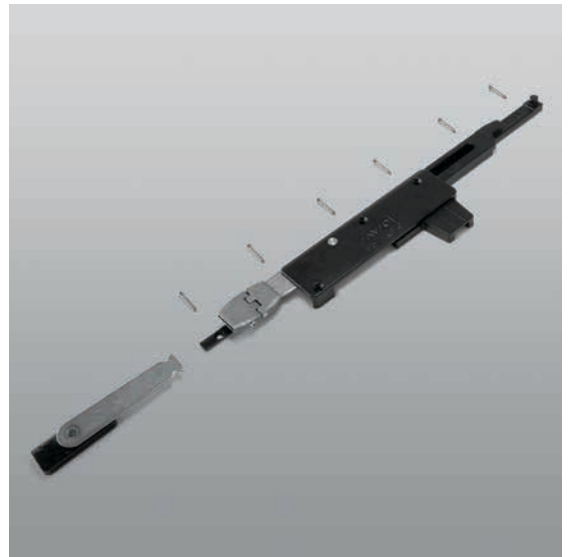
code	description	finishes	pcs.
1208	Varnished zamak lever handle, 1 adhesive rubber gasket, 2 screws TORX® M5x14 in stainless steel.	9005, 9010, BR5, SILV	5

Moving and locking systems for outward openings

598



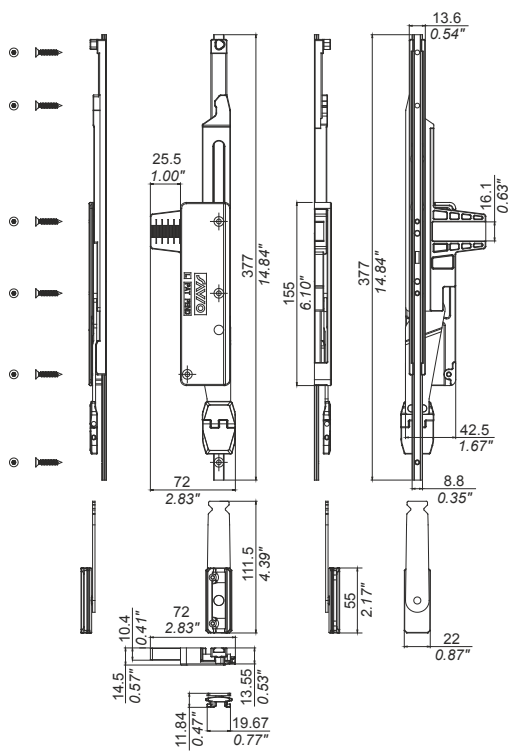
1208



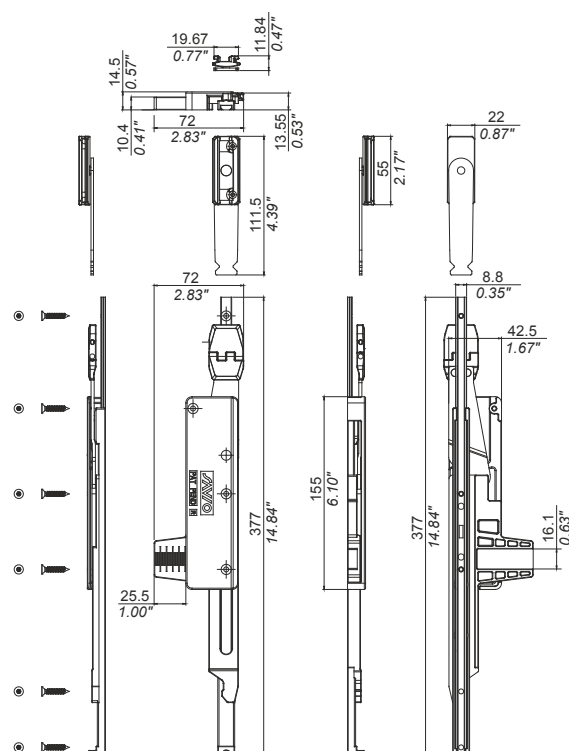
1208.1L-1208.1R

code	description	finishes	pcs.
1208.1L	(patented) LH Basic kit including: 1 sliding block kit in stainless steel and black galvanized zamak, 1 movement mechanism in stainless steel, black anodized aluminium and varnished zamak, 6 countersunk head screw TORX® (T15) 3,9x22 in stainless steel.		5
1208.1R	(patented) RH Basic kit including: 1 sliding block kit in stainless steel and black galvanized zamak, 1 movement mechanism in stainless steel, black anodized aluminium and varnished zamak, 6 countersunk head screw TORX® (T15) 3,9x22 in stainless steel.		5

Moving and locking systems for outward openings



1208.1L



1208.1R



1208.701



1208.710

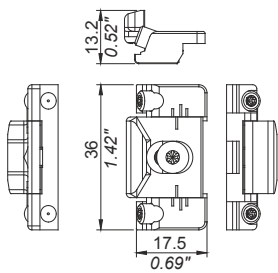


1208.790

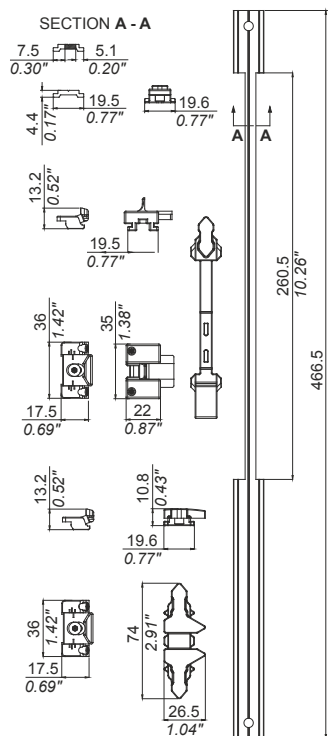
code	description	finishes	pcs.
1208.701	Kit for 1 closing point including: 1 adjustable keeper in black galvanized zamak and pre-assembled TORX® screws in stainless steel.		40
1208.710	Kit for 2 closing points including: 1 connecting rod in mill-finished aluminium, 1 pinion, 1 locking piece, 2 adjustable keepers and 1 safety kit in black galvanized zamak. Pre-assembled TORX® screws in stainless steel.		10
1208.790	Drive and closing point kit complete with: 2 upper drives, 4 adjustable keepers in black galvanized zamak, 2 kit including 1 locking piece in black galvanized zamak and 1 frictioning cap in red nylon. Pre-assembled TORX® screws in stainless steel.		10

Moving and locking systems for outward openings

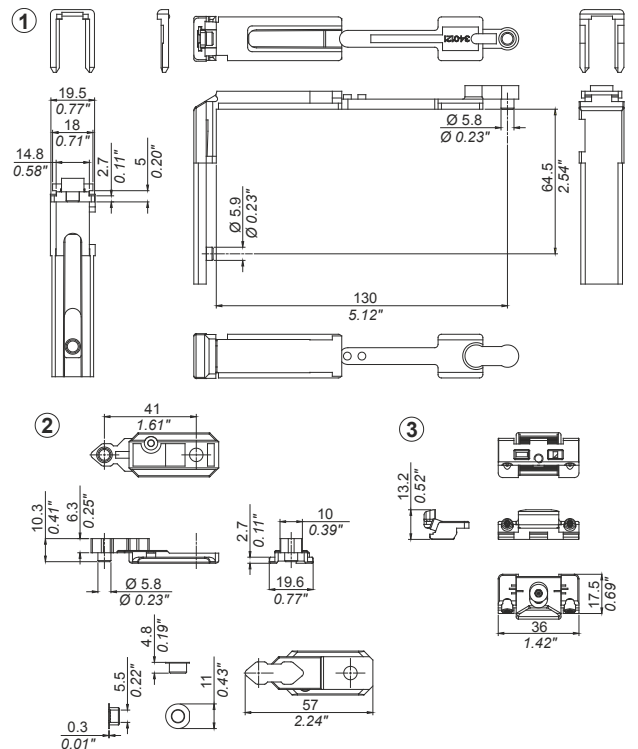
600



1208.701



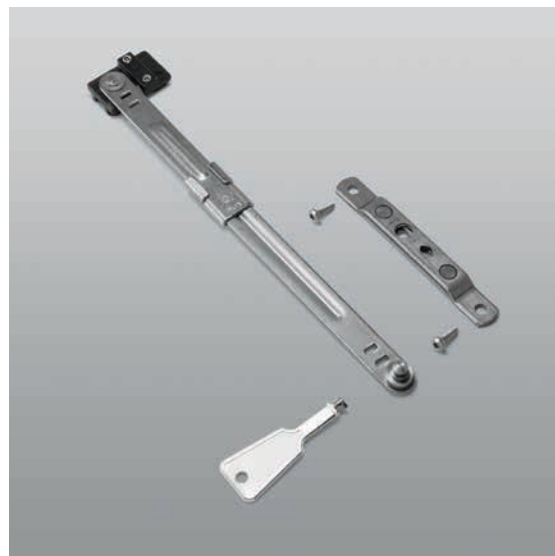
1208.710



1208.790



1346.703

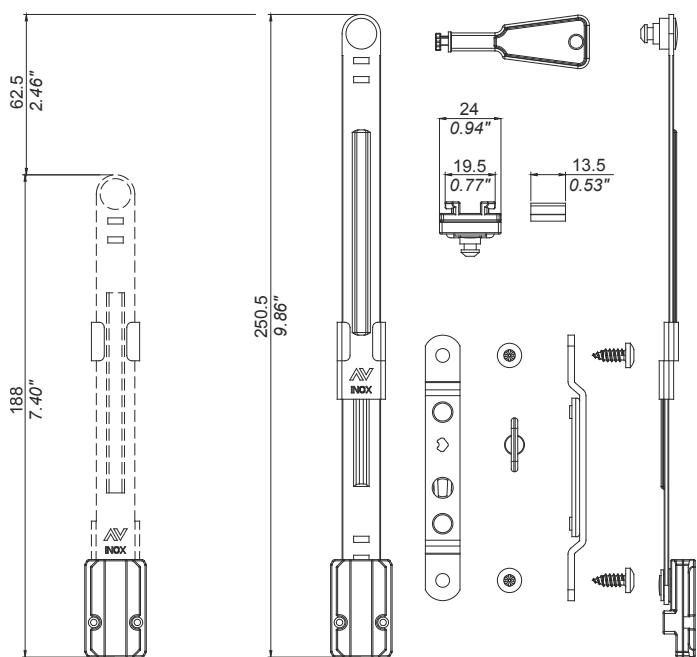


1346.3

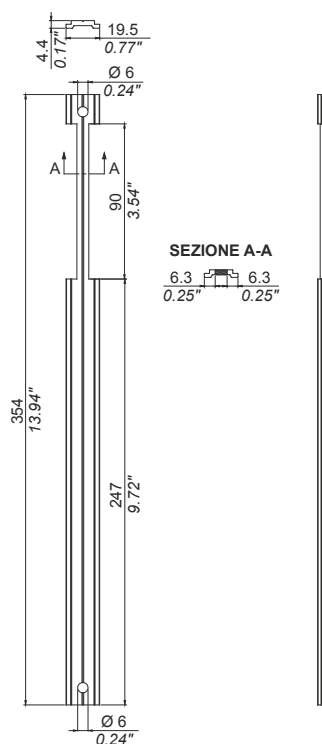
code	description	finishes	pcs.
1346.3	Opening restrictor arm stay in stainless steel and black galvanized zamak with arm key in nickel plated zamak.		10
1346.703	Arm rod in mill-finished aluminium.		25

Moving and locking systems for outward openings

601



1346.3



1346.703

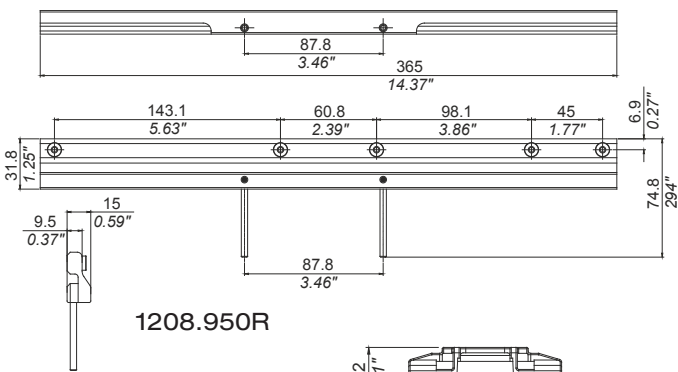


1208.951

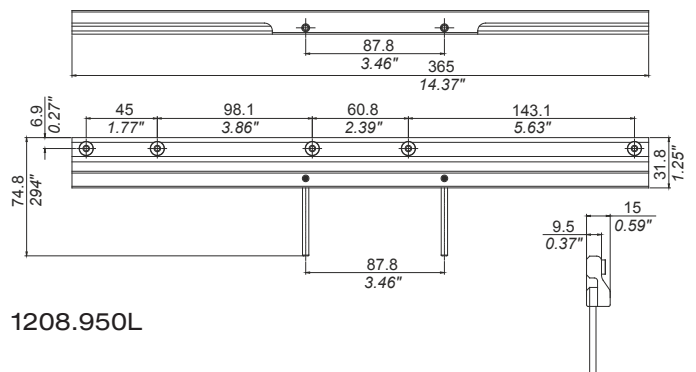
1208.950R-1208.950L

code	description	finishes	pcs.
1208.950R	RH drilling jig in mill finished aluminium, bushings, pins and TORX® grub-screws pre-assembled in stainless steel.		5
1208.950L	LH drilling jig in mill finished aluminium, bushings, pins and TORX® grub-screws pre-assembled in stainless steel.		5
1208.951	Mounting jig in black nylon.		5

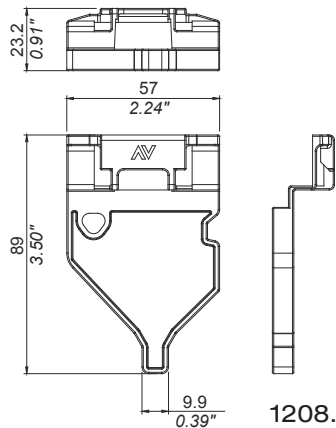
Moving and locking systems for outward openings



1208.950R



1208.950L



1208.951