

Various complementary accessories



1409/6
1409/8
1409/10



1414.15

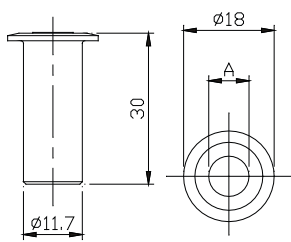


1414.16

code	description	finishes	pcs.
1409/6	Powder-resistant floor Keeper in brass, Ø 6 mm		100
1409/8	Powder-resistant floor Keeper in brass, Ø 8 mm		100
1409/10	Powder-resistant floor Keeper in brass, Ø 10 mm		100
1414.15	Keeper in black galvanized zamak, 2 pre-assembled grub screws M5x12 in stainless steel, 1 black galvanized zamak counterplate and 2 socket head cap screws M5x10 in stainless steel.		1
1414.16	Keeper in black galvanized zamak with 2 pre-assembled grub screws M5x12 in stainless steel.		1

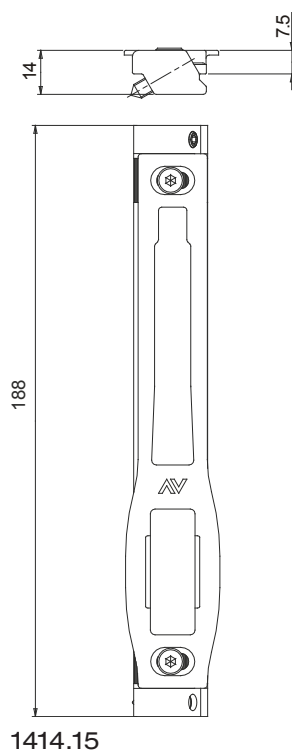
Various complementary accessories

604

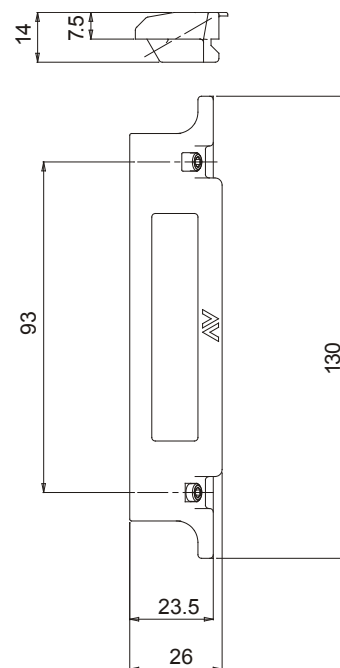


Art.	A
1409/6	6
1409/8	8
1409/10	10

1409/6-1409/8-1409/10



1414.15



1414.16



1875.1W



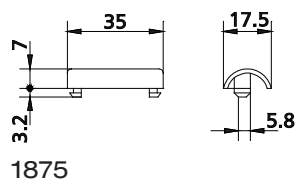
1875.1



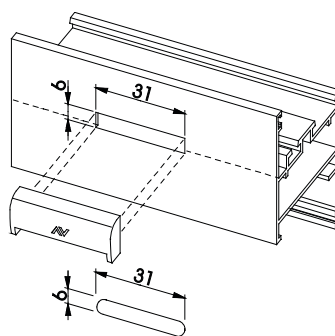
1875

code	description	finishes	pcs.
1875	Nylon water drainage cover.	(nero), .78	100
1875.1	Nylon water drainage cover.	.74, .78	100
1875.1W	White nylon water drainage cover with membrane.		100

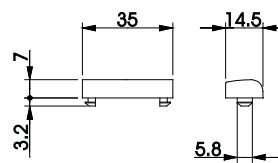
Various complementary accessories



1875



1875.1-1875.1W



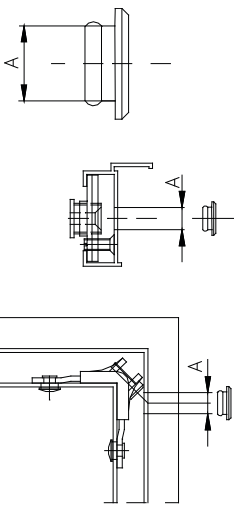


1885.3
1885.5

code	description	finishes	pcs.
1885.3	Black PVC hole cap Ø 11.5.		1000
1885.5	Black PVC hole cap Ø 10.		1000

Various complementary accessories

606



Art.	A
1885.3	11,5
1885.5	10

1885.3-1885.5



9200
9200.1
9200.2
9200.3

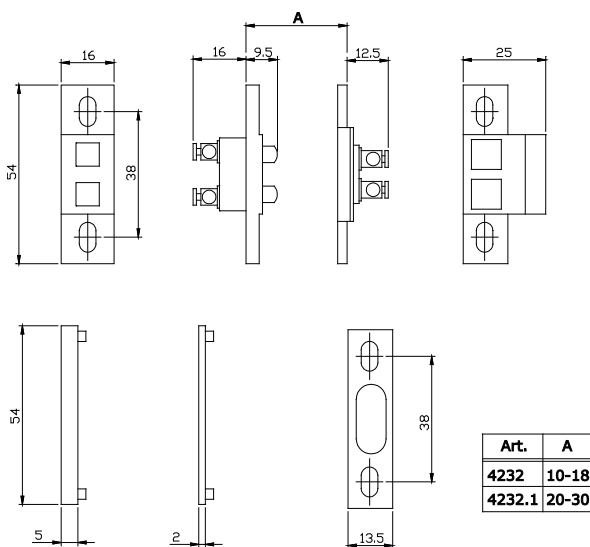


4232
4232.1

code	description	finishes	pcs.
4232	Adjustable electrical contacts in brass and nylon, 4 cap screws Ø 3.9x16 in galvanized steel, 2 nylon spacers of 5 mm and 1 nylon spacer of 2 mm.		20
4232.1	Adjustable electrical contacts in brass and nylon, 2 cap screws Ø 3.9x16 and 2 cap screws Ø 3.9x22 in galvanized steel, 3 nylon spacers of 5 mm and 1 nylon spacer of 2 mm.		20
9200	Nylon finishes colour samples.		1
9200.1	Anodised finishes colour samples.		1
9200.2	Basic RAL finishes colour samples.		1
9200.3	Other RAL finishes colour samples.		1

Various complementary accessories

607



4232-4232.1