

Fan light openers and accessories

385



• NEWTON

Page 386



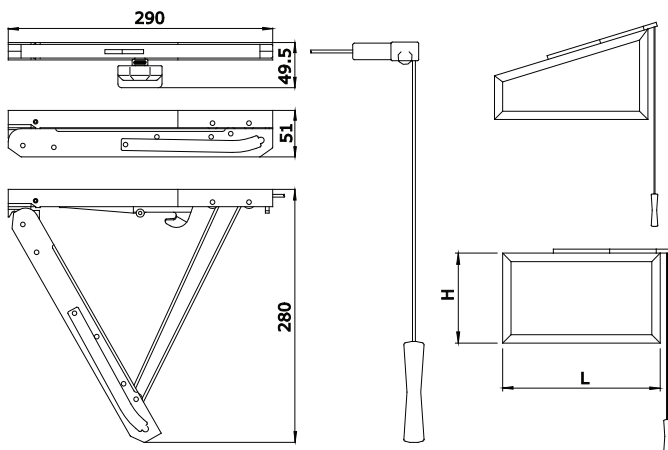
F7

code	description	finishes	pcs.
F7	(patented) Adjustable fanlight opener for bottom hung casement in steel, zamak and nylon, polyester cable (3 m), screws in galvanized steel. Can be applied on all profiles up to 70 mm thick. Weight capacity: 80 Kg.	1013, 1015, 6005, 8017, 8019, 9005, 9010, 9016, B.SA, BR5, GR217, GR51, GREY, SILV	5

Fan light openers and accessories

386

Newton



L	H
400 - 1500	350 - 1600
Max 80 Kg	

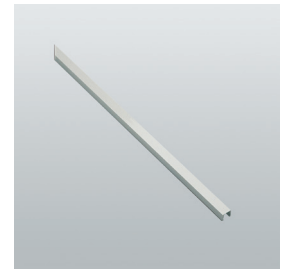
F7



F6.ZB
F6.ZN



F6.Y

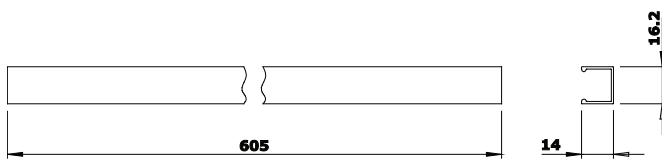


F6.R

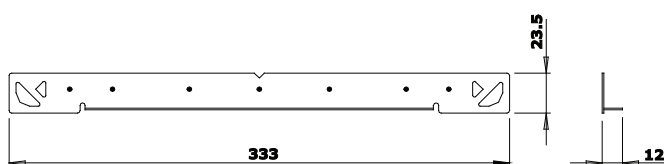
code	description	finishes	pcs.
F6.R	Aluminium cable-covering profile.	1013, 1015, 1035, 6005, 8017, 8019, 9005, 9010, 9016, B.SA, BR5, GR217, GREY, SILV	10
F6.Y	Galvanized steel marking jig.		1
F6.ZB	Cable (6 m) in white polyester.		2
F6.ZN	Cable (6 m) in black polyester.		2

Fan light openers and accessories

387



F6.R



F6.Y

